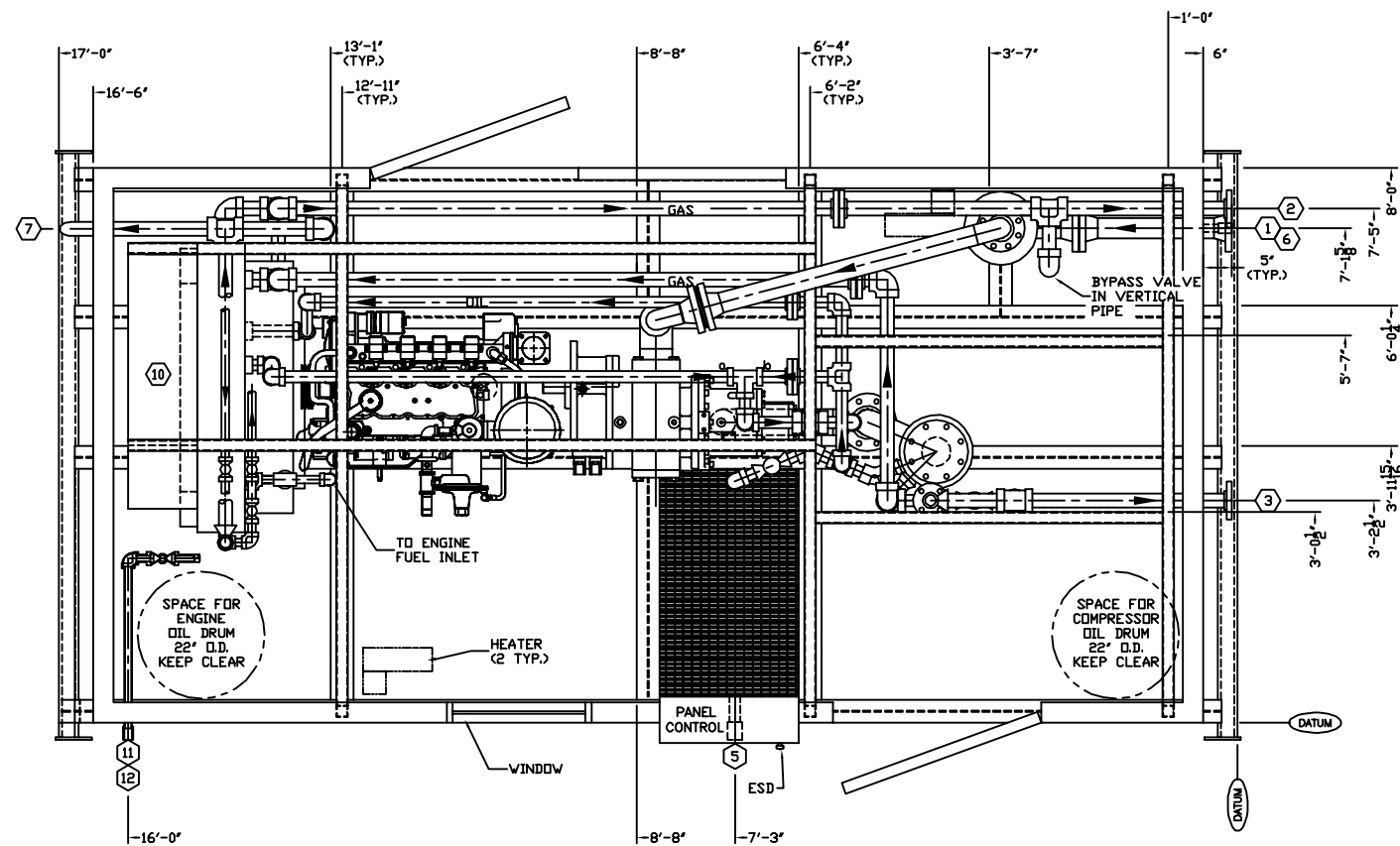


**CUSTOMER CONNECTIONS**

①	INITIAL SUCTION	3\"-300# RF
②	FINAL DISCHARGE	2\"-300# RF SCR'D
③	RELIEF VALVE VENT	2\"-300# RF SCR'D
④	-	-
⑤	COMPRESSOR OIL DRAIN	1\"-3000# (NPT)
⑥	SCRUBBER DRAIN	1\"-3000# (NPT)
⑦	LOW PRESSURE STARTER VENT	2\"-PIPE (c/w BIRDSCREEN)
⑧	-	-
⑨	-	-
⑩	ENGINE OIL DAYTANK FILL	2\"-3000# (NPT)
⑪	WASTE OIL DRAIN	1\"-3000# (NPT)
⑫	GLYCOL FILL / DRAIN	3/4\"-3000# (NPT)



**NOTES:**

1. FOR ALL NOTES SEE DWG. #PFLW.
2. ESTIMATED PACKAGE WEIGHT 15,000 LBS.
3. -
4. ALL B.O.P. EL.'S FROM BOTTOM OF SKID.

0	ISSUED FOR CONSTRUCTION	12/18/02	GG
No.	REVISION	DATE	BY
<b>ENERGY INDUSTRIES INC.</b> 4303 - 11TH STREET N.E. CALGARY ALBERTA CANADA			
TITLE: GENERAL ARRANGEMENT CATERPILLAR G3304NA FRICK XJF-151N ENERGY SYSTEMS COOLER		CUSTOMER: ENERGY INDUSTRIES INC. STOCK GAS COMPRESSOR	
SCALE: 3/4\"=1'-0\"	DATE: 12/18/02	BY: GG	DATE RELEASED:
STEP # N/A	UNIT # S213	DRAWING NO.: S213-GA	RELEASED BY: