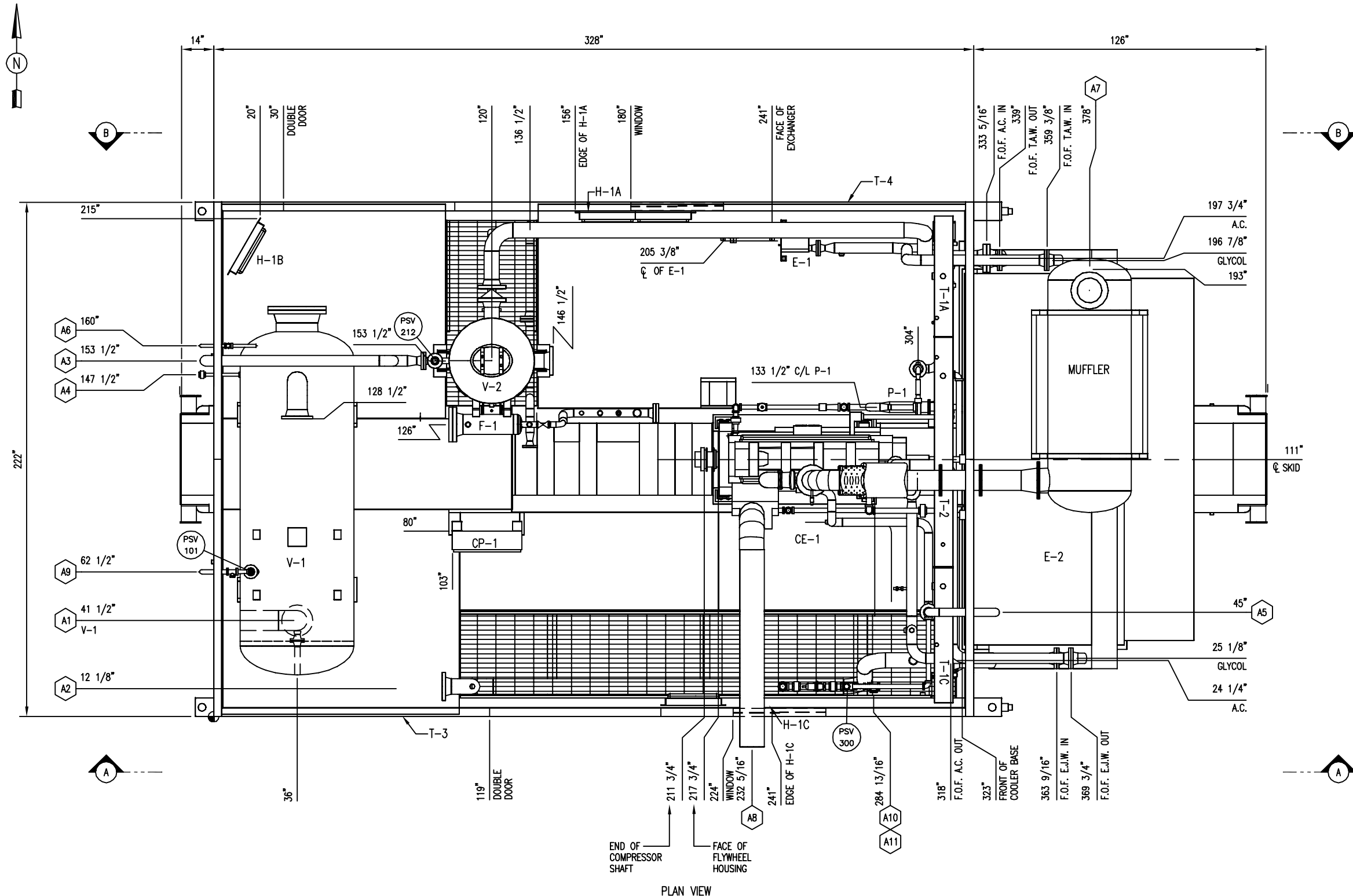
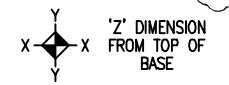


THE INFORMATION CONTAINED HEREIN IS THE CONFIDENTIAL PROPERTY OF TOROMONT ENERGY SYSTEMS AND IS NOT FOR PUBLICATION, AND NO PART THEREOF SHALL BE COPIED OR COMMUNICATED TO A THIRD PARTY WITHOUT AUTHORIZATION FROM TOROMONT ENERGY SYSTEMS.



NOZZLE SCHEDULE				
MARK	SERVICE	SIZE	RATING	TYPE
A1	GAS INLET	8"	150#	RFWN
A2	GAS OUTLET	6"	300#	RFWN
A3	PSV-212 VENT	4"	STD	PIPE
A4	HYDROCARBON LIQUID DRAIN	1"	3000#	CPLG
A5	START GAS VENT	3"	STD	PIPE
A6	INSTRUMENT GAS VENT	1"	XS	PIPE
A7	ENGINE EXHAUST	10"	10 Ga	TUBING
A8	AIR INTAKE	10"	10 Ga	TUBING
A9	PSV-101 VENT	1 1/2"	XS	PIPE
A10	FUEL GAS	1 1/2"	3000#	CPLG
A11	START GAS	1 1/2"	3000#	CPLG

- GENERAL NOTES:**
- ALL TAIL DIMENSIONS FROM REFERENCE POINT.
 - SHIPPING LENGTH: 39'-1"
SHIPPING WIDTH: 19'-7"
SHIPPING HEIGHT: 18'-3 11/16"
 - SHIPPING WEIGHT: 86670 (NO FLUIDS) TBD
 - OPERATING WEIGHT: 89365 (W/FLUIDS) TBD
 - OVERALL SKID DEPTH: 1'-6 3/16"
 - NOZZLE ELEVATIONS ARE FROM CENTERLINE OF PIPE TO TOP OF BASE (REFERENCE POINT).
 - (*) DENOTES ELEVATION FROM FACE OF FLANGE TO TOP OF BASE (REFERENCE POINT).
 - CENTER OF GRAVITY:
 'X' FROM REFERENCE POINT: 200" TBD
 'Y' FROM REFERENCE POINT: 117"
 'Z' FROM REFERENCE POINT: 34"



SHOP TO SET V-1 & V-2 TO OUTLET & INLET FLANGED DIMENSIONS RESPECTIVELY.

DELETE THIS NOTE WHEN SOLD

REV.	DESCRIPTION	DATE	BY	APPR.
1	ISSUED FOR CONSTRUCTION	JAN 23/08	PP	GS

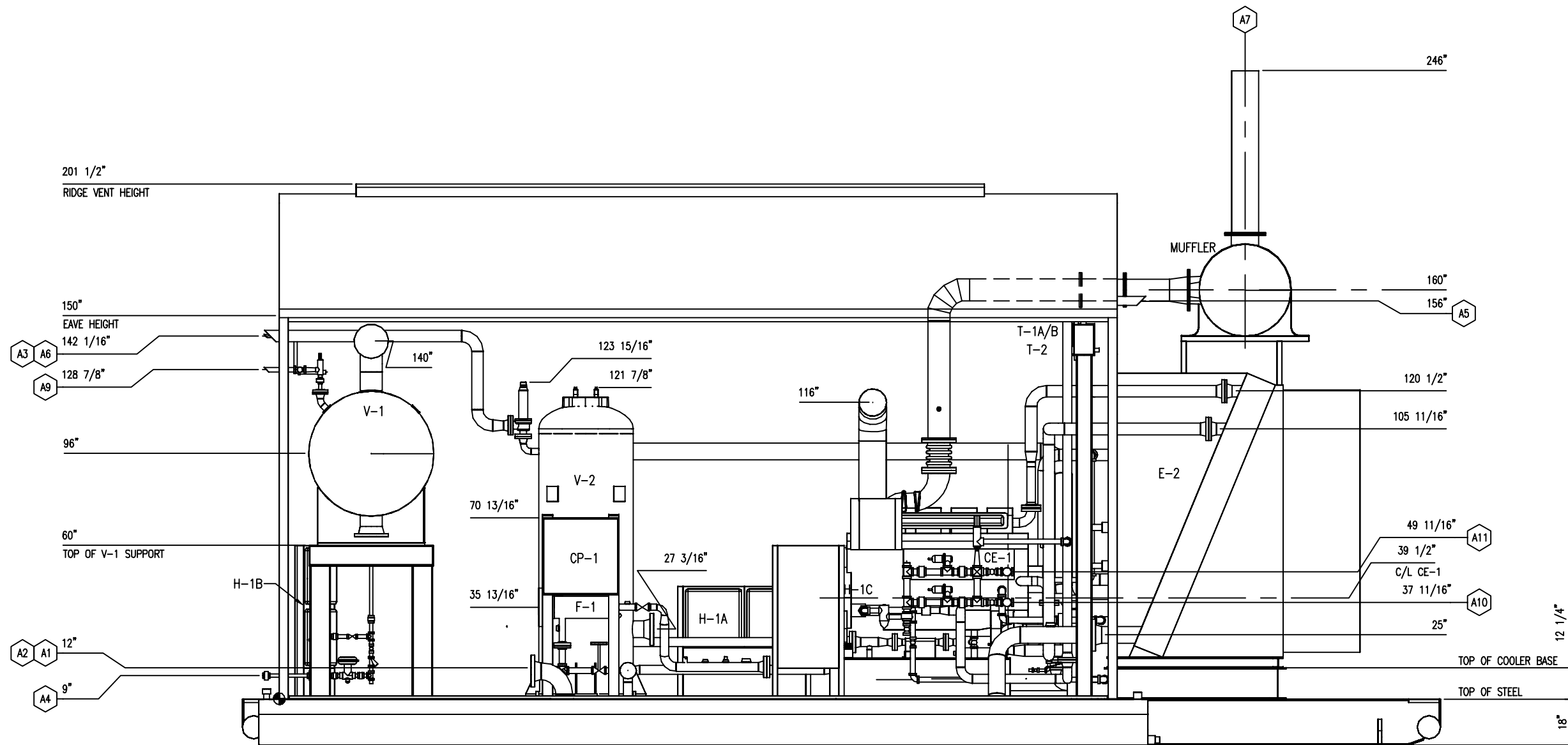
TOROMONT ENERGY SYSTEMS INC.
 ISSUED FOR CONSTRUCTION
 JAN 23/08
 PER **P. PAGE**

ENGINEER STAMP

TOROMONT ENERGY SYSTEMS
 DRAWN BY: P. PAGE
 CHKD. BY: K. WALTON
 APPR. BY: G. SCHUSTER
 DATE: JAN 16/08
 SCALE: 1/2" = 1'-0"
 W.O. No: 12198204
 CUST. PO No:

TITLE: GENERAL ARRANGEMENT
 FOR: TOROMONT ENERGY SYSTEMS
 530 HP / WAUKESHA H24GL
 BOOSTER COMPRESSOR
 DWG. No: 12198-201
 SHEET No: 1 OF 4
 REV: 1

THE INFORMATION CONTAINED HEREIN IS THE PROPERTY OF TOROMONT ENERGY SYSTEMS, INC. AND IS NOT TO BE REPRODUCED, COPIED, OR TRANSMITTED IN ANY FORM OR BY ANY MEANS, ELECTRONIC OR MECHANICAL, WITHOUT THE WRITTEN PERMISSION OF TOROMONT ENERGY SYSTEMS, INC.



ELEVATION 'A-A'

REV.	DESCRIPTION	DATE	BY	APPR.
1	ISSUED FOR CONSTRUCTION	JAN 23/08	PP	GS

TOROMONT ENERGY SYSTEMS INC.
 ISSUED FOR
 CONSTRUCTION
 JAN 23/08
 PER **P. PAGE**

ENGINEER STAMP

TOROMONT
 ENERGY SYSTEMS

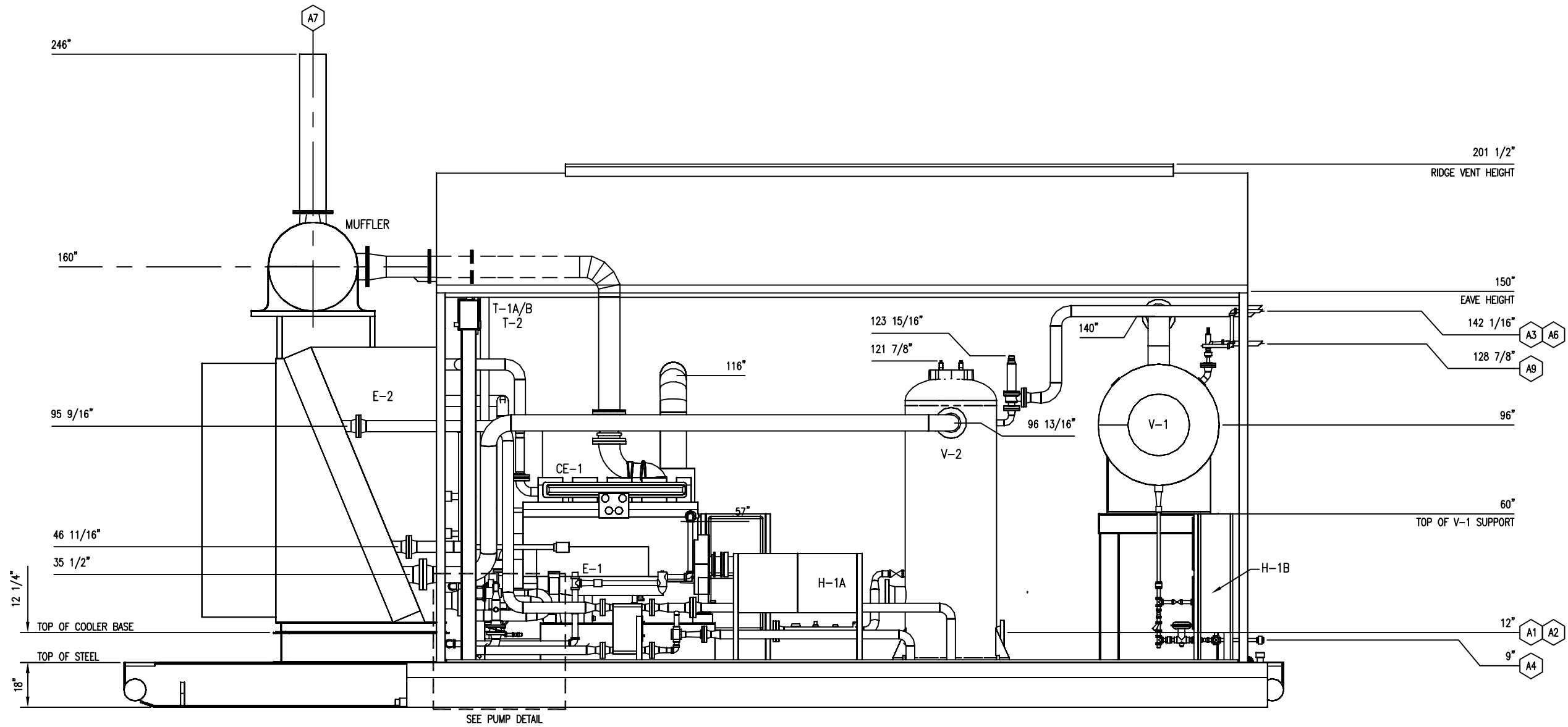
DRAWN BY: P. PAGE	DATE: JAN 16/08
CHKD. BY: G. SCHUSTER	SCALE: 1/2" = 1'-0"
APPR. BY: P. PAGE	W.O. No: 12198201
CUST. PO No:	

TITLE: ELEVATION VIEW 'A-A'

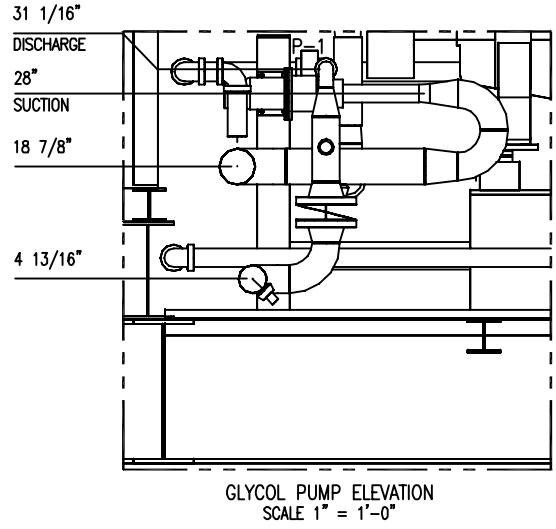
FOR: TOROMONT ENERGY SYSTEMS
 530 HP / WAUKESHA H24GL
 BOOSTER COMPRESSOR

DWG. No: 12198-201 SHEET No: 2 OF 4 REV: 1

THE INFORMATION CONTAINED HEREIN IS THE CONFIDENTIAL PROPERTY OF TOROMONT ENERGY SYSTEMS AND IS NOT FOR PUBLICATION, AND NO PART THEREOF SHALL BE COPIED OR COMMUNICATED TO A THIRD PARTY WITHOUT AUTHORIZATION FROM TOROMONT ENERGY SYSTEMS.



ELEVATION 'B-B'



GLYCOL PUMP ELEVATION
SCALE 1" = 1'-0"

REV.	DESCRIPTION	DATE	BY	APPR.
1	ISSUED FOR CONSTRUCTION	JAN 23/08	PP	GS

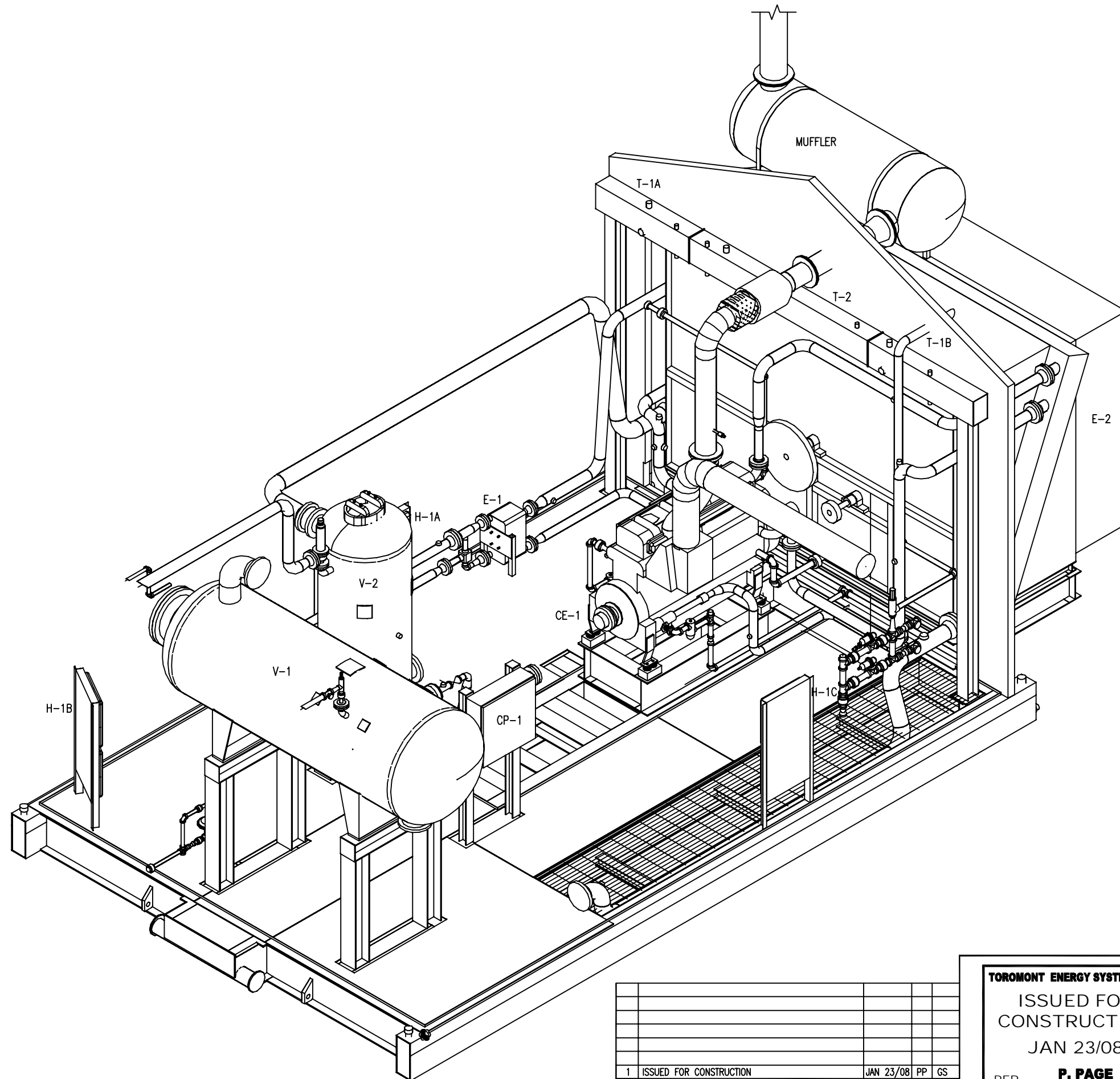
TOROMONT ENERGY SYSTEMS INC.
ISSUED FOR
CONSTRUCTION
JAN 23/08
PER **P. PAGE**

ENGINEER STAMP

TOROMONT
ENERGY SYSTEMS
DRAWN BY: P. PAGE
DATE: JAN 16/08
CHKD. BY: G. SCHUSTER
SCALE: 1/2" = 1'-0"
APPR. BY: G. SCHUSTER
W.O. No: 12198201
CUST. PO No:

TITLE: ELEVATION 'B-B'
FOR: TOROMONT ENERGY SYSTEMS
530 HP / WAUKESHA H24GL
BOOSTER COMPRESSOR
DWG. No: 12198-201
SHEET No: 3 OF 4
REV: 1

THE INFORMATION CONTAINED HEREIN IS THE CONFIDENTIAL PROPERTY OF TOROMONT ENERGY SYSTEMS AND IS NOT FOR PUBLICATION, AND NO PART THEREOF SHALL BE COPIED OR COMMUNICATED TO A THIRD PARTY WITHOUT AUTHORIZATION FROM TOROMONT ENERGY SYSTEMS.



REV.	DESCRIPTION	DATE	BY	APPR.
1	ISSUED FOR CONSTRUCTION	JAN 23/08	PP	GS

TOROMONT ENERGY SYSTEMS INC.
ISSUED FOR CONSTRUCTION
JAN 23/08
 PER **P. PAGE**

ENGINEER STAMP

TOROMONT ENERGY SYSTEMS	
DRAWN BY: P. PAGE	DATE: JAN 16/08
CHKD. BY: G. SCHUSTER	SCALE: NTS
APPR. BY: G. SCHUSTER	W.O. No: 12198201
CUST. PO No:	

TITLE: ISOMETRIC VIEWS
FOR: TOROMONT ENERGY SYSTEMS 530 HP / WAUKESHA H24GL BOOSTER COMPRESSOR
DWG. No: 12198-201
SHEET No: 4 OF 4
REV: 1