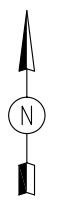
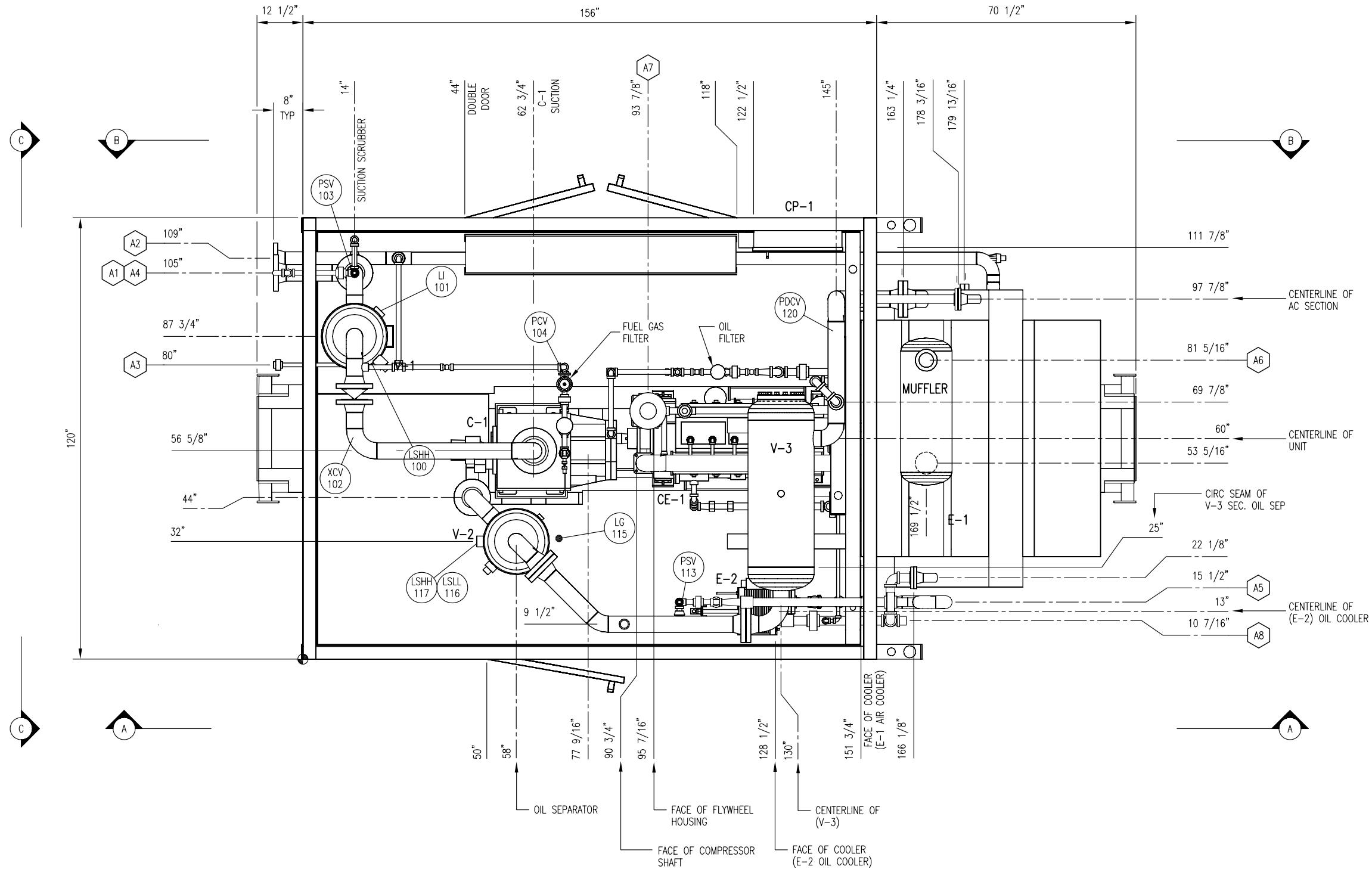


THE INFORMATION CONTAINED HEREIN IS THE CONFIDENTIAL PROPERTY OF TOROMONT PROCESS SYSTEMS AND IS NOT FOR PUBLICATION, AND NO PART THEREOF SHALL BE COPIED OR COMMUNICATED TO A THIRD PARTY WITHOUT AUTHORIZATION FROM TOROMONT PROCESS SYSTEMS.

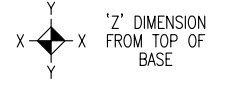


NOZZLE SCHEDULE				
MARK	SERVICE	SIZE	RATING	TYPE
A1	GAS INLET	4"	300#	RFWN
A2	GAS OUTLET	3"	300#	RFWN
A3	LIQUID DRAIN	3/4"	3000#	NPT
A4	PSV-103 TO ATMOSPHERE	1"	-	STUB
A5	STARTER/PSV VENT	3"	-	STUB
A6	ENGINE EXHAUST	5"	-	STUB
A7	ENGINE AIR INLET	4"	-	STUB
A8	GLYCOL FILL	2"	2000#	NPT



GENERAL NOTES:

1. ALL TAIL DIMENSIONS FROM REFERENCE POINT.
2. SHIPPING LENGTH: 239"
SHIPPING WIDTH: 126"
SHIPPING HEIGHT: 143"
3. SHIPPING WEIGHT: 20400 LBS
4. OPERATING WEIGHT: 20800 LBS
5. OVERALL SKID DEPTH: 8 3/16"
6. NOZZLE ELEVATIONS ARE FROM CENTERLINE OF PIPE TO TOP OF BASE (REFERENCE POINT).
7. (*) DENOTES ELEVATION FROM FACE OF FLANGE TO TOP OF BASE (REFERENCE POINT).
8. CENTER OF GRAVITY:
 'X' FROM REFERENCE POINT: 100 7/8"
 'Y' FROM REFERENCE POINT: 58 15/16"
 'Z' FROM REFERENCE POINT: 37 3/4"



REV.	DESCRIPTION	DATE	BY	APPR.
2	AS BUILT	FEB 13/07	MB	AD
1	ISSUED FOR CONSTRUCTION	JUL 24/03	AVK	AD

PERMIT TO PRACTICE STAMP

ENGINEER STAMP

TOROMONT **TOROMONT PROCESS SYSTEMS**

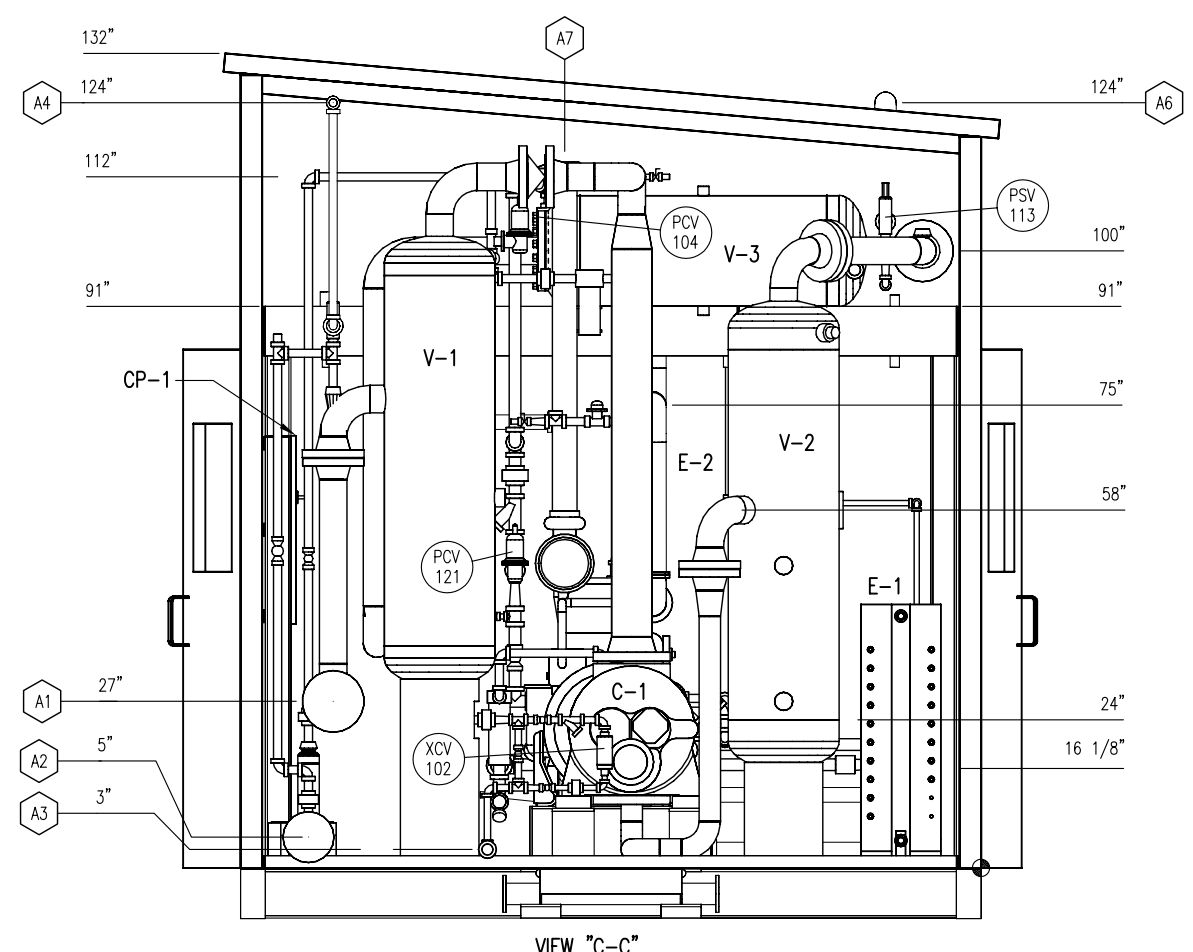
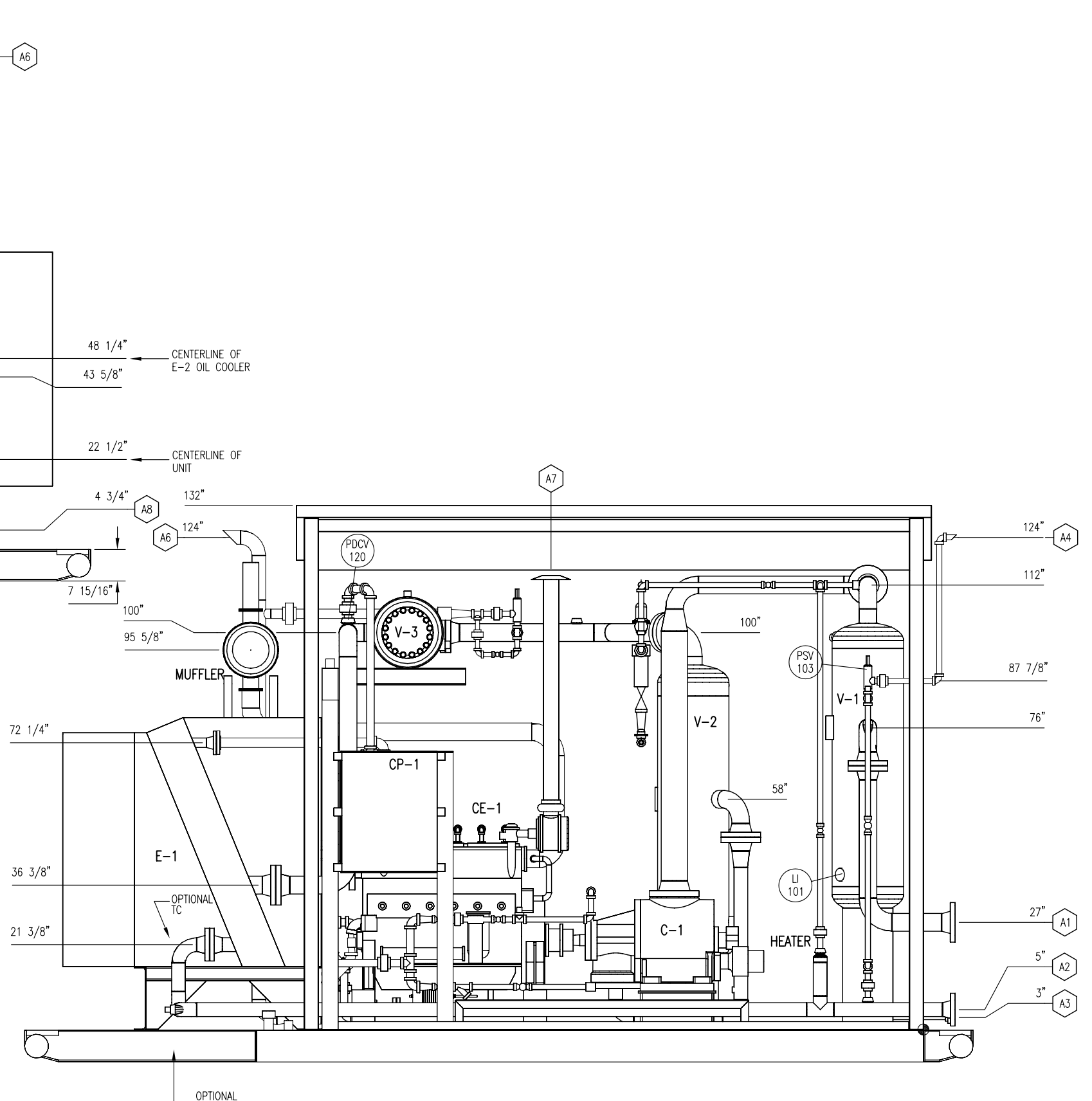
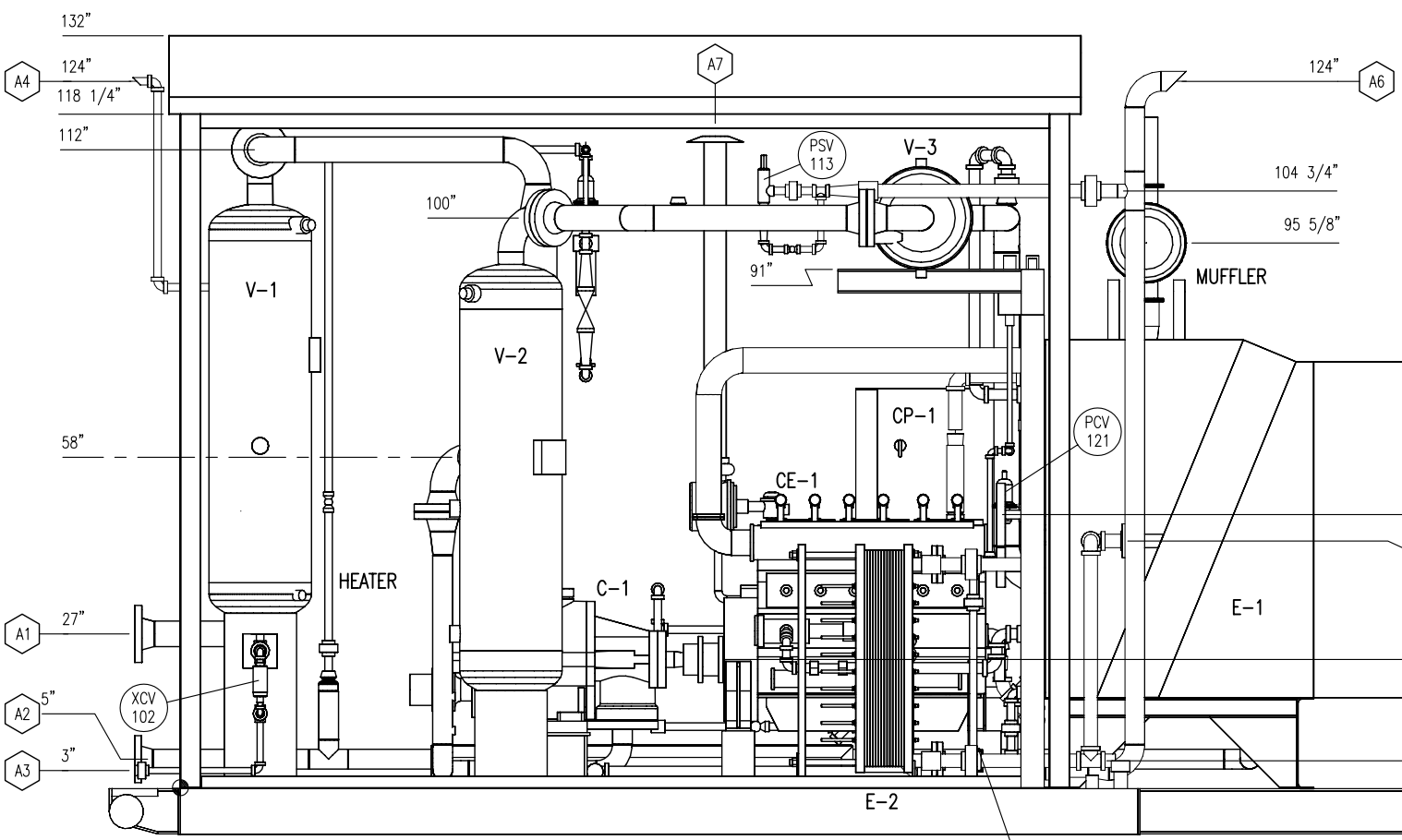
DRAWN BY: A.KIRICHKOV
 DATE: JUL 24, 2003
 CHKD. BY: A. DURHAM
 SCALE: 3/4"=1'-0"
 APPR. BY: G. SCHUSTER
 W.O. No: 11283201
 CUST. PO No:

TITLE: GENERAL ARRANGEMENT

FOR: GREY WOLF EXPLORATION
 135 HP WELLHEAD
 BOOSTER UNIT
 (ARIEL AR-208 N COMPRESSOR)

DWG. No: 11283-201
 SHEET No: 1 OF 3
 REV: 2

THE INFORMATION CONTAINED HEREIN IS THE CONFIDENTIAL PROPERTY OF TOROMONT PROCESS SYSTEMS AND IS NOT FOR PUBLICATION, AND NO PART THEREOF SHALL BE COPIED OR COMMUNICATED TO A THIRD PARTY WITHOUT AUTHORIZATION FROM TOROMONT PROCESS SYSTEMS.



REV.	DESCRIPTION	DATE	BY	APPR.
2	AS BUILT	FEB 13/07	MB	AD
1	ISSUED FOR CONSTRUCTION	JUL 24/03	AVK	AD

PERMIT TO PRACTICE STAMP	ENGINEER STAMP
--------------------------	----------------

TOROMONT TOROMONT PROCESS SYSTEMS

DRAWN BY: A.KIRICHKOV
 CHKD. BY: A. DURHAM
 APPR. BY: G. SCHUSTER
 CUST. PO No:

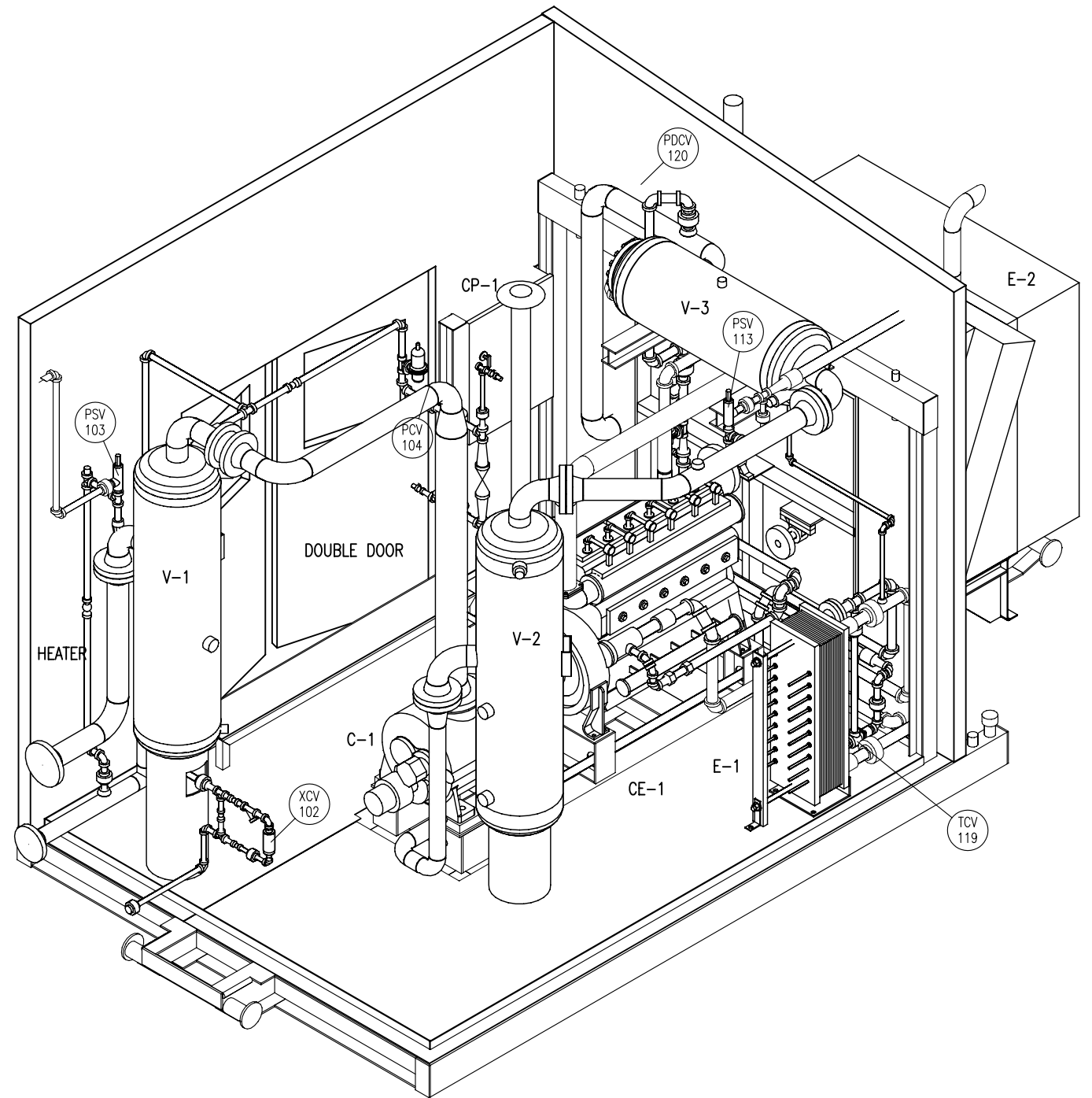
DATE: JUL 24, 2003
 SCALE: 3/4"=1'-0"
 W.O. No: 11283201

TITLE: ELEVATIONS / VIEWS

FOR: GREY WOLF EXPLORATION
 135 HP WELLHEAD
 BOOSTER UNIT
 (ARIEL AR-208 N COMPRESSOR)

DWG. No: 11283-201
 SHEET No: 2 OF 3
 REV: 2

THE INFORMATION CONTAINED HEREIN IS THE CONFIDENTIAL PROPERTY OF TOROMONT PROCESS SYSTEMS AND IS NOT FOR PUBLICATION, AND NO PART THEREOF SHALL BE COPIED OR COMMUNICATED TO A THIRD PARTY WITHOUT AUTHORIZATION FROM TOROMONT PROCESS SYSTEMS.



REV.	DESCRIPTION	DATE	BY	APPR.
2	AS BUILT	FEB 13/07	MB	AD
1	ISSUED FOR CONSTRUCTION	JUL 24/03	AVK	AD

PERMIT TO PRACTICE STAMP

ENGINEER STAMP

TOROMONT		TOROMONT PROCESS SYSTEMS	
DRAWN BY: A. KIRICHKOV	DATE: JUL 24, 2003	FOR:	
CHKD. BY: A. DURHAM	SCALE: 3/4" = 1'-0"	GREY WOLF EXPLORATION 135 HP WELLHEAD BOOSTER UNIT (ARIEL AR-208 N COMPRESSOR)	
APPR. BY: G. SCHUSTER	W.O. No: 11283201	DWG. No: 11283-201	
CUST. PO No:		SHEET No: 3 OF 3	REV: 2

TITLE: 3D MODEL