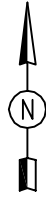
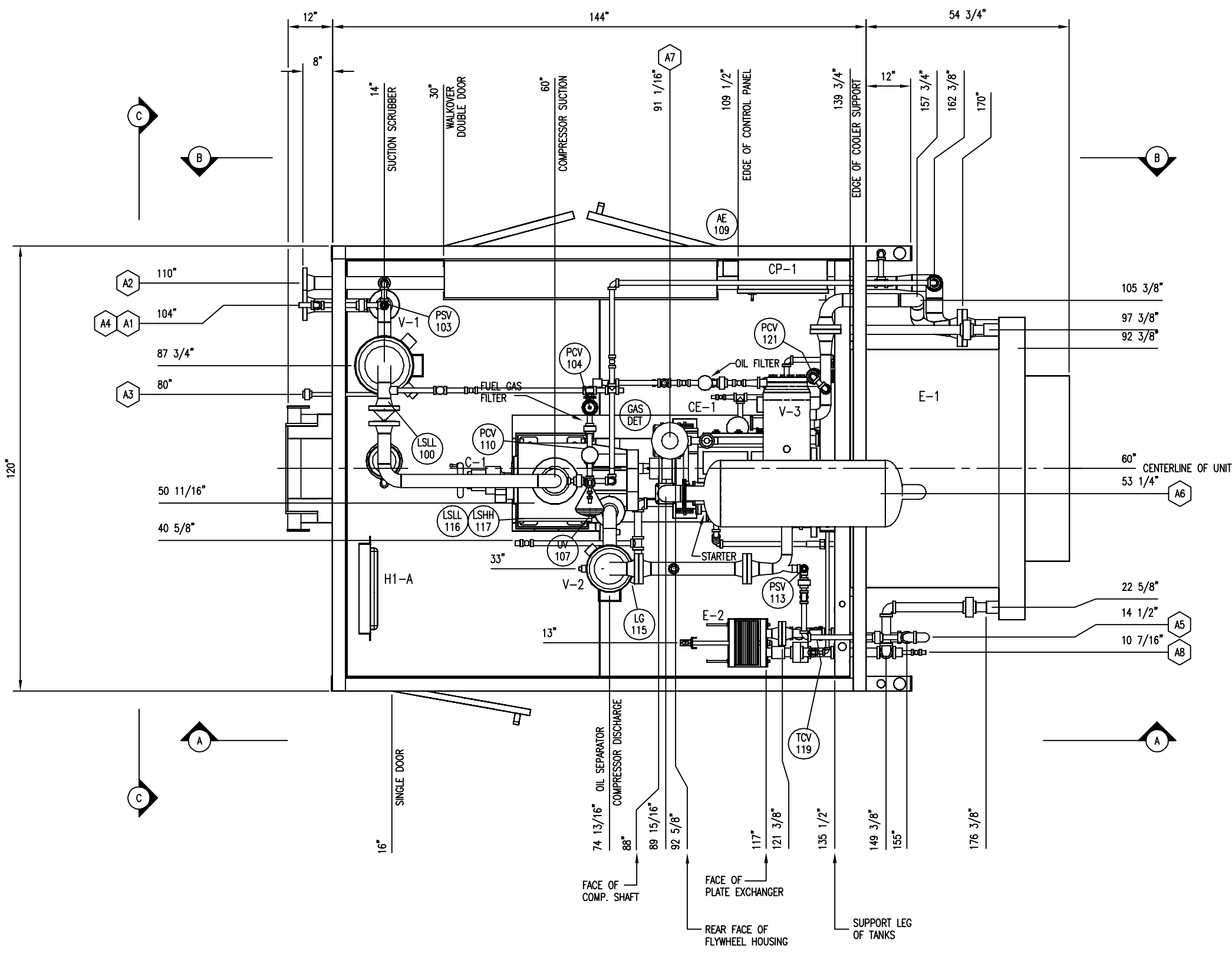


THE INFORMATION CONTAINED HEREIN IS THE CONFIDENTIAL PROPERTY OF TOROMONT PROCESS SYSTEMS AND IS NOT FOR PUBLICATION, AND NO PART THEREOF SHALL BE COPIED OR COMMUNICATED TO A THIRD PARTY WITHOUT AUTHORIZATION FROM TOROMONT PROCESS SYSTEMS



NOZZLE SCHEDULE				
MARK	SERVICE	SIZE	RATING	TYPE
A1	GAS INLET	3"	300#	RFWN
A2	GAS OUTLET	3"	300#	RFWN
A3	LIQUID DRAIN	3/4"	3000#	NPT
A4	VENT TO ATMOSPHERE	1"	-	STUB
A5	STARTER/PSV VENT	2"	-	STUB
A6	ENGINE EXHAUST	4"	-	STUB
A7	ENGINE AIR INLET	3"	-	STUB
A8	GLYCOL FILL	3/4"	2000#	NPT



- GENERAL NOTES:**
- ALL TAIL DIMENSIONS FROM REFERENCE POINT.
 - SHIPPING LENGTH: 210"
SHIPPING WIDTH: 126"
SHIPPING HEIGHT: 130"
 - SHIPPING WEIGHT: 19000 LBS
 - OPERATING WEIGHT: 19400 LBS
 - OVERALL SKID DEPTH: 8 3/16"
 - NOZZLE ELEVATIONS ARE FROM CENTERLINE OF PIPE TO TOP OF BASE (REFERENCE POINT).
 - (*) DENOTES ELEVATION FROM FACE OF FLANGE TO TOP OF BASE (REFERENCE POINT).

FOR JOBS 11249 TO 11258

ISSUED FOR CONSTRUCTION

REV.	DESCRIPTION	DATE	BY	APPR.
1	ISSUED FOR CONSTRUCTION	JUL 25/03	X	

PERMIT TO PRACTICE STAMP

ENGINEER STAMP

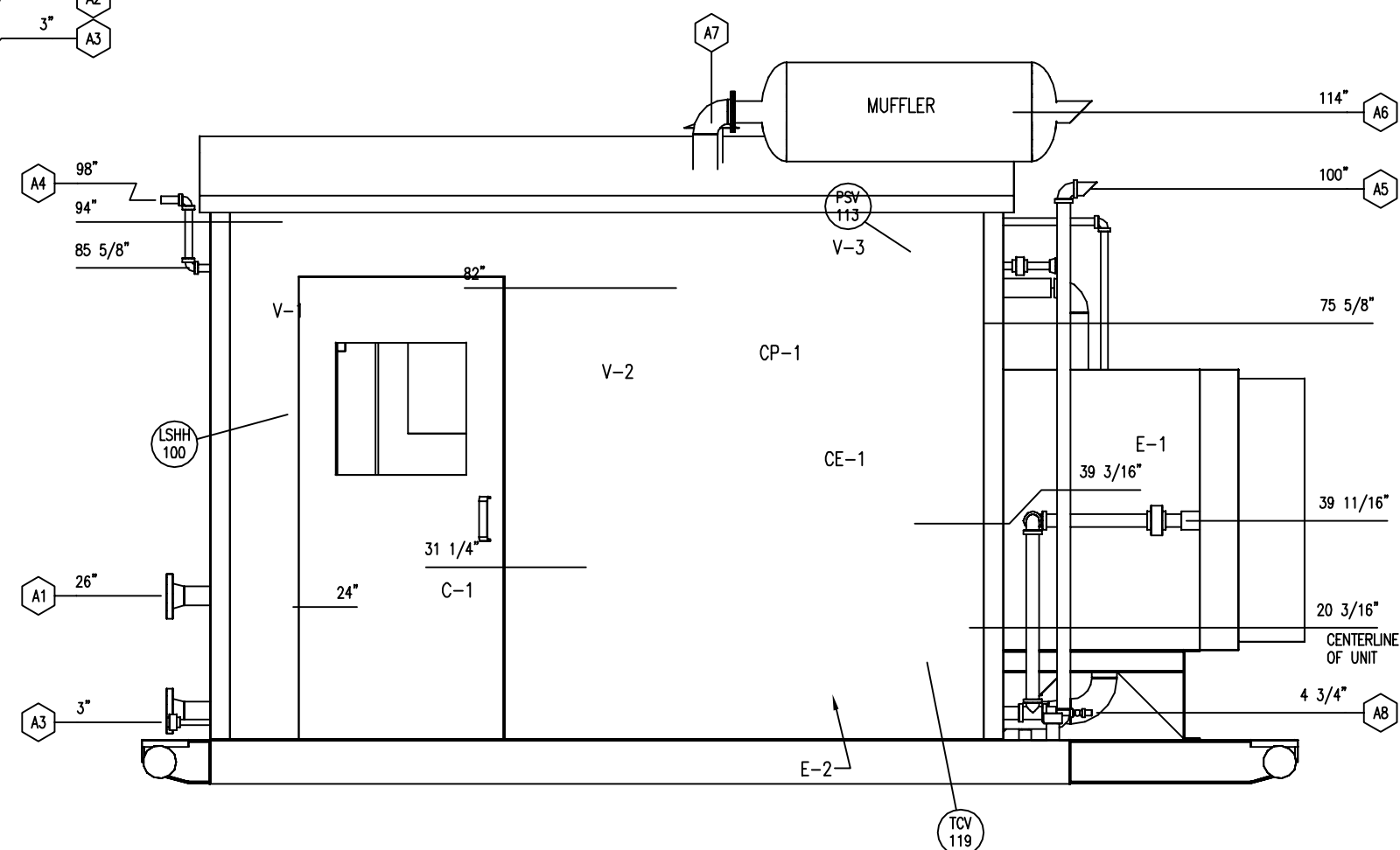
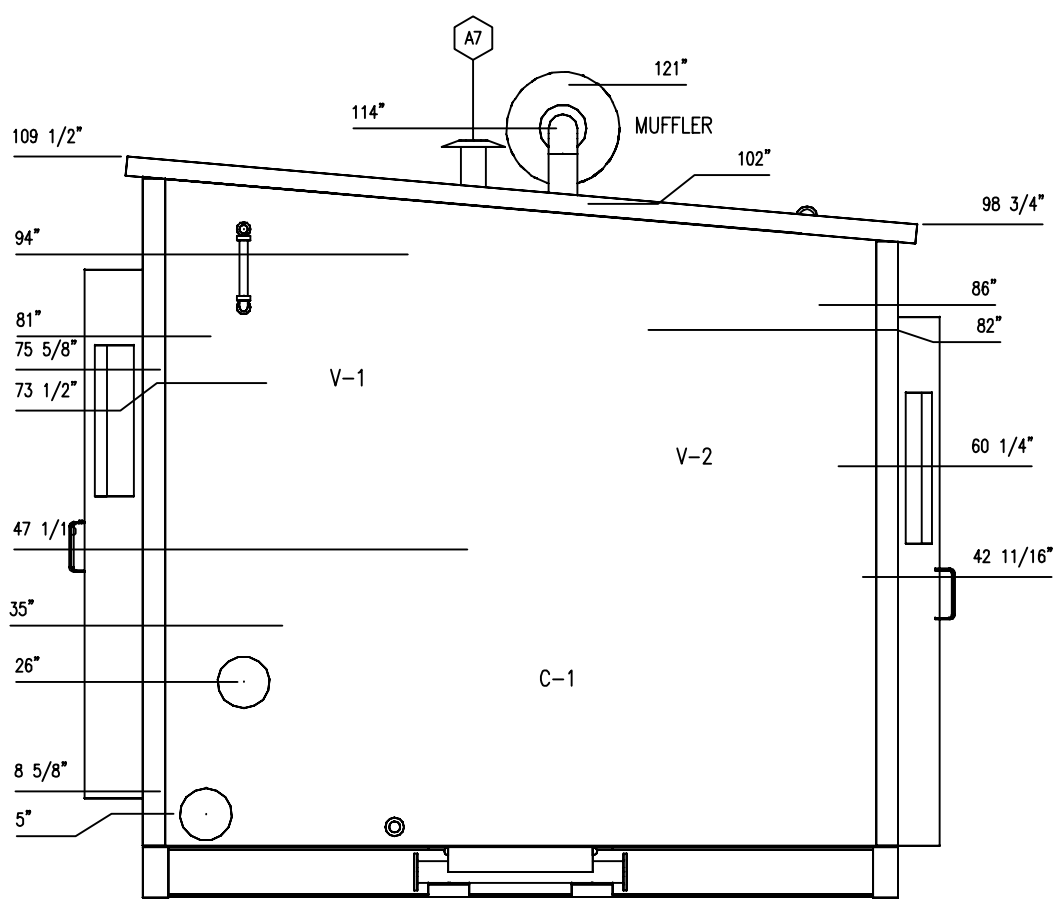
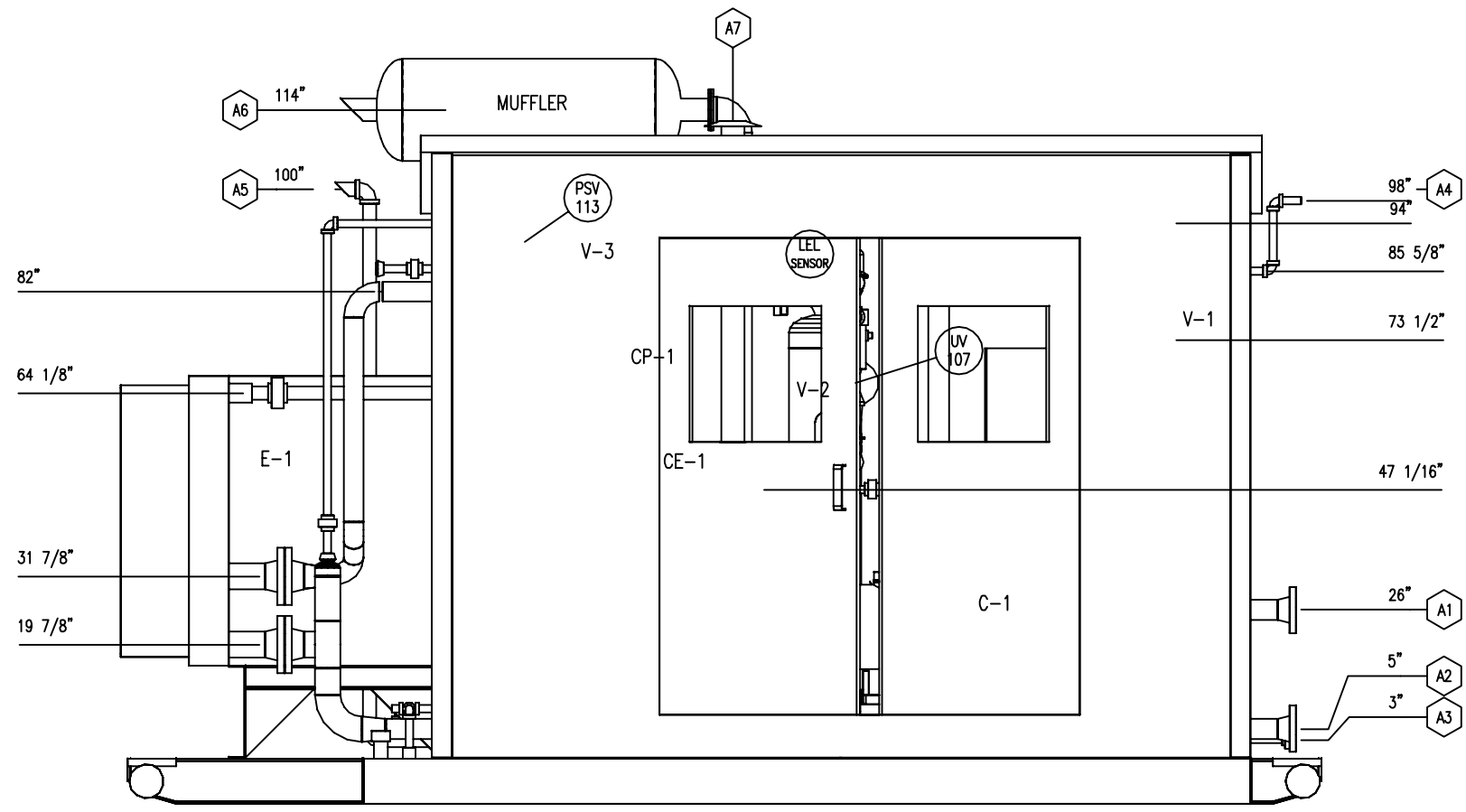
TOROMONT **TOROMONT PROCESS SYSTEMS**

DRAWN BY: STOCK DATE: JULY 23/03
 CHKD. BY: STOCK SCALE: 3/4"=1'-0"
 APPR. BY: STOCK W.O. No: 11251201
 CUST. PO No:

TITLE: GENERAL ARRANGEMENT
 FOR: APACHE CANADA
 90 HP WELLHEAD
 BOOSTER UNIT
 ARIEL 208N COMPRESSOR

DWG. No: 11251-201 SHEET No: 1 OF 3 REV: 1

THE INFORMATION CONTAINED HEREIN IS THE CONFIDENTIAL PROPERTY OF TOROMONT PROCESS SYSTEMS AND IS NOT FOR PUBLICATION, AND NO PART THEREOF SHALL BE COPIED OR COMMUNICATED TO A THIRD PARTY WITHOUT AUTHORIZATION FROM TOROMONT PROCESS SYSTEMS.



FOR JOBS 11249 TO 11258

ISSUED FOR CONSTRUCTION

REV.	DESCRIPTION	DATE	BY	APPR.
1	ISSUED FOR CONSTRUCTION	JUL 25/03	GWS	

PERMIT TO PRACTICE STAMP

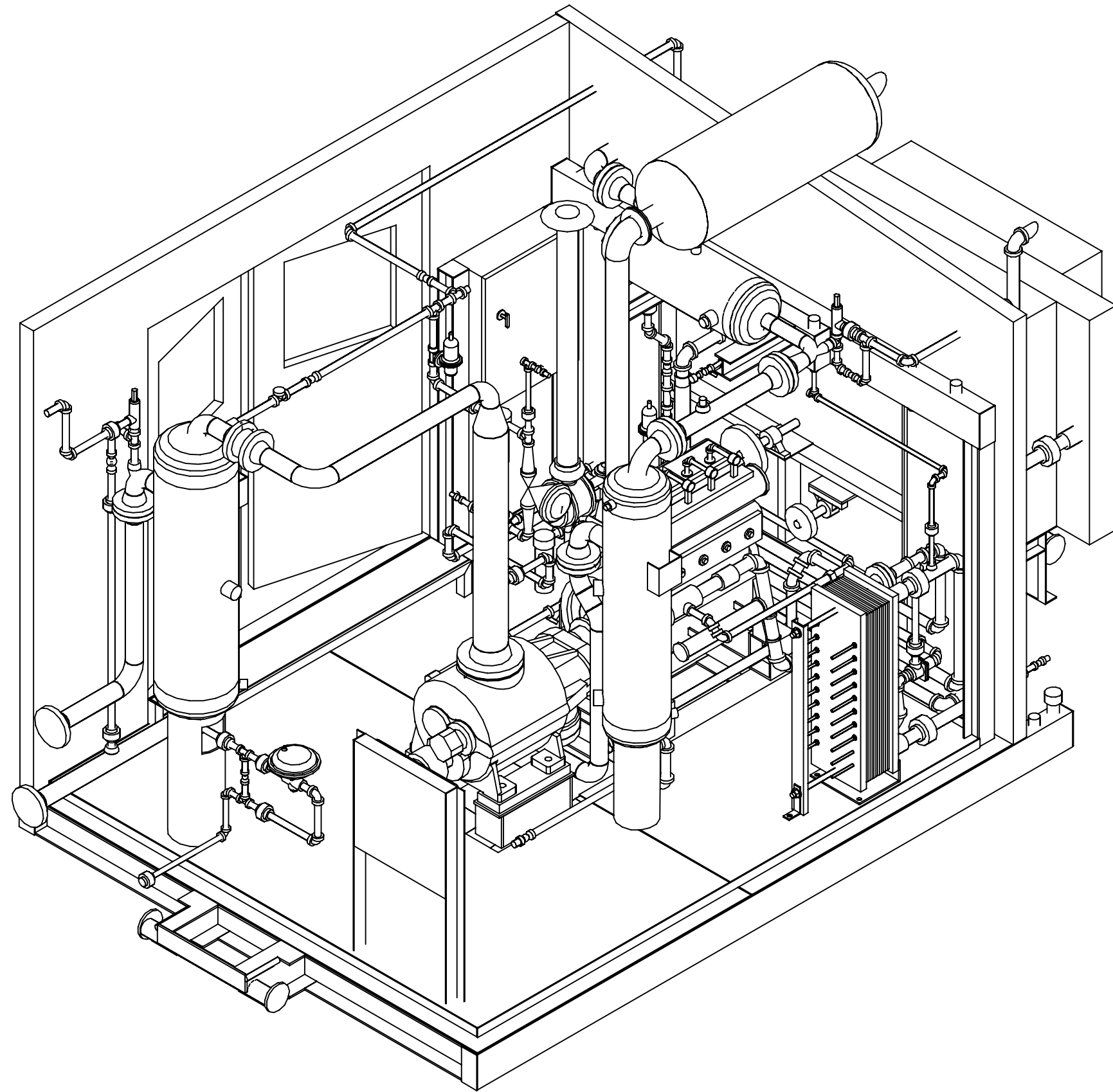
ENGINEER STAMP

TOROMONT
TOROMONT PROCESS SYSTEMS

DRAWN BY: STOCK
 CHKD. BY: STOCK
 APPR. BY: STOCK
 W.O. No: 11251201
 DATE: JULY 23/03
 SCALE: 3/4"=1'-0"

TITLE: ELEVATIONS / VIEWS
 FOR: APACHE CANADA
 90 HP WELLHEAD
 BOOSTER UNIT
 ARIEL 208N COMPRESSOR
 DWG. No: 11251-201
 SHEET No: 2 OF 3
 REV: 1

THE INFORMATION CONTAINED HEREIN IS THE CONFIDENTIAL PROPERTY OF TOROMONT PROCESS SYSTEMS AND IS NOT FOR PUBLICATION, AND NO PART THEREOF SHALL BE COPIED OR COMMUNICATED TO A THIRD PARTY WITHOUT AUTHORIZATION FROM TOROMONT PROCESS SYSTEMS



FOR JOBS 11249 TO 11258

ISSUED FOR CONSTRUCTION

REV.	DESCRIPTION	DATE	BY	APPR.
1	ISSUED FOR CONSTRUCTION	JUL 23/03	GWS	

PERMIT TO PRACTICE STAMP

ENGINEER STAMP

DRAWN BY: STOCK	DATE: JULY 23/03
CHKD. BY: STOCK	SCALE: 1"=1'-0"
APPR. BY: STOCK	W.O. No: 11251201
CUST. PO No:	

TITLE: 3D MODEL

FOR: APACHE CANADA
90 HP WELLHEAD
BOOSTER UNIT
ARIEL 208N COMPRESSOR

DWG. No: 11251-201

SHEET No: 3 OF 3

REV: 1