

Qty. Description

1 CRN 45-1 A-G-G-V-KUBV



Note! Product picture may differ from actual product

Product No.: [96419274](#)

Vertical, non-self-priming, multistage, in-line, centrifugal pump for installation in pipe systems and mounting on a foundation.

The pump has the following characteristics:

- Impellers, intermediate chambers and outer sleeve are made of Stainless steel, EN 1.4401.
- Pump head cover and base are made of Stainless steel, EN 1.4408.
- The shaft seal has assembly length according to EN 12756.
- Power transmission is via cast iron split coupling.
- Pipework connection is via ANSI flanges/couplings.

The motor is a 3-phase AC motor.

Liquid:

Pumped liquid: Water
 Liquid temperature range: 0 .. 90 °C
 Selected liquid temperature: 20 °C
 Density: 998.2 kg/m³

Technical:

Pump speed on which pump data are based: 3467 rpm
 Rated flow: 54 m³/h
 Rated head: 28.1 m
 Code for shaft seal: KUBV

Materials:

Base: Stainless steel
 EN 1.4408
 AISI 316
 Impeller: Stainless steel
 EN 1.4401
 AISI 316

Installation:

t max amb: 40 °C
 Max pressure at stated temp: 16 bar / 90 °C
 Type of connection: ANSI
 Size of inlet connection: 3" inch
 Size of outlet connection: 3" inch



Company name:

Created by:

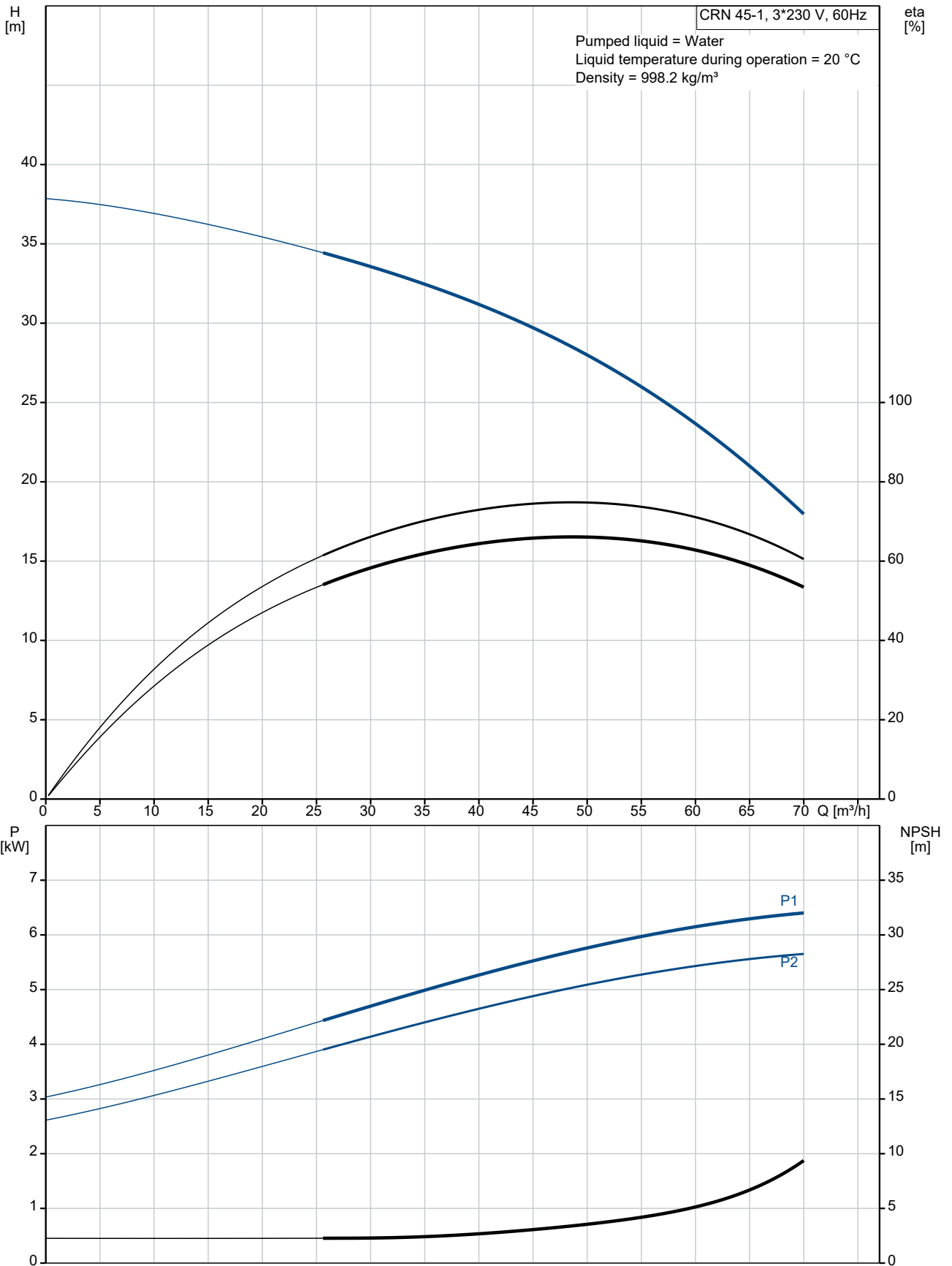
Phone:

Date:

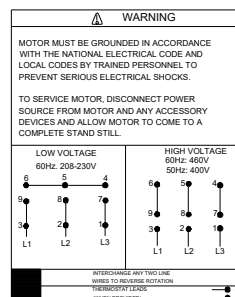
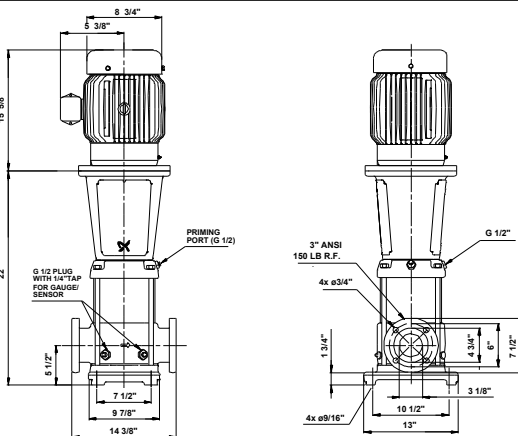
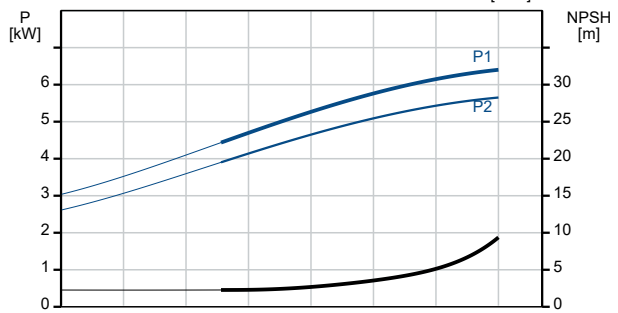
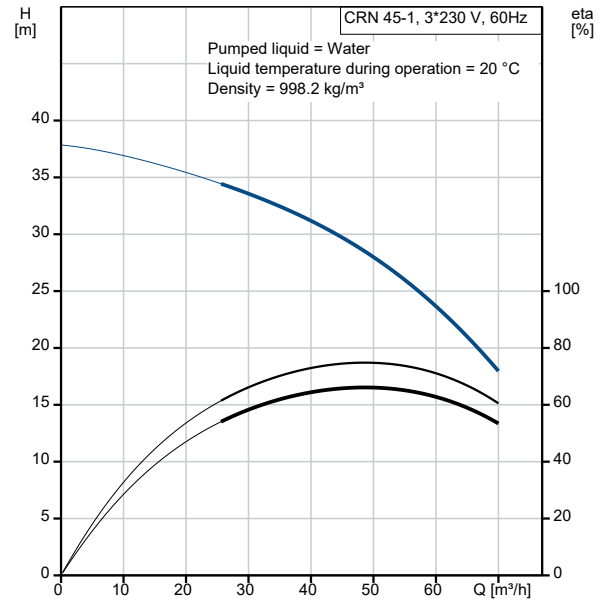
22/07/2022

Qty.	Description
	Pressure rating for connection: 150 Lb. Flange size for motor: 213TC
	Electrical data: Motor type: 132DA IE Efficiency class: NEMA Premium / IE3 60Hz Rated power - P2: 5.5 kW Mains frequency: 60 Hz Rated voltage: 3 x 208-230YY/460Y V Service factor: 1.15 Rated current: 20.4-19.4/9.70 A Starting current: 940-1040 % Cos phi - power factor: 0.89-0.84 Rated speed: 3520-3540 rpm Efficiency: IE3 89,5% Motor efficiency at full load: 89.5 % Motor efficiency at 3/4 load: 89.0 % Motor efficiency at 1/2 load: 87.5 % Number of poles: 2 Enclosure class (IEC 34-5): 55 Dust/Jetting Insulation class (IEC 85): F Motor No: 85900708
	Others: Net weight: 102 kg Gross weight: 110 kg Shipping volume: 0.24 m ³

96419274 CRN 45-1 A-G-G-V-KUBV 60 Hz



Description	Value
General information:	
Product name:	CRN 45-1 A-G-G-V-KUBV
Product No:	96419274
EAN number:	5700390753504
Price:	
Technical:	
Pump speed on which pump data are based:	3467 rpm
Rated flow:	54 m ³ /h
Rated head:	28.1 m
Stages:	1
Impellers:	1
Low NPSH:	N
Code for shaft seal:	KUBV
Pump version:	A
Model:	A
Cooling:	TEFC
Materials:	
Base:	Stainless steel
Base:	EN 1.4408
Base:	AISI 316
Impeller:	Stainless steel
Impeller:	EN 1.4401
Impeller:	AISI 316
Material code:	G
Code for rubber:	V
Installation:	
t max amb:	40 °C
Max pressure at stated temp:	16 bar / 90 °C
Type of connection:	ANSI
Size of inlet connection:	3" inch
Size of outlet connection:	3" inch
Pressure rating for connection:	150 Lb.
Flange size for motor:	213TC
Connect code:	G
Liquid:	
Pumped liquid:	Water
Liquid temperature range:	0 .. 90 °C
Selected liquid temperature:	20 °C
Density:	998.2 kg/m ³
Electrical data:	
Motor type:	132DA
IE Efficiency class:	NEMA Premium / IE3 60Hz
Rated power - P2:	5.5 kW
KVA code:	L
Mains frequency:	60 Hz
Rated voltage:	3 x 208-230YY/460V Y
Service factor:	1.15
Rated current:	20.4-19.4/9.70 A
Starting current:	940-1040 %
Full load SF current:	23-21.5/10.8 A
Cos phi - power factor:	0.89-0.84
Rated speed:	3520-3540 rpm
Efficiency:	IE3 89,5%
Motor efficiency at full load:	89.5 %
Motor efficiency at 3/4 load:	89.0 %
Motor efficiency at 1/2 load:	87.5 %





Company name:

Created by:

Phone:

Date:

22/07/2022

Description	Value
Number of poles:	2
Enclosure class (IEC 34-5):	55 Dust/Jetting
Insulation class (IEC 85):	F
Built-in motor protection:	PTC
Motor No:	85900708
Others:	
Net weight:	102 kg
Gross weight:	110 kg
Shipping volume:	0.24 m ³
Sales region:	Namreg