

**H-100/101/102**  
CATADYNE BUILDING HEATER  
24" x 24" 24,000 BTU/HR  
(SWEET NATURAL GAS)  
c/w GRILL, HOOD, CABLES, CLAMPS,  
TC 100% SHUT OFF  
12 VDC

**V-100**  
INLET SEPARATOR  
60" OD x 20'-0" S/S  
MAWP: 720 PSI @ -20/100°F

**V-320**  
EXTERNAL CHAMBER  
SIZE: 4"

**V-300/310**  
EXTERNAL LEVEL CAGE  
SIZE: 6" 300#  
MAWP: 720 PSI  
CRN: 0H0B322.231

**V-200**  
FUEL GAS SCRUBBER  
SIZE: 6" x 36"  
c/w FLOAT SHUT OFF  
MAWP: 250 PSI  
SWEET SERVICE

**INSTRUMENT LIST**

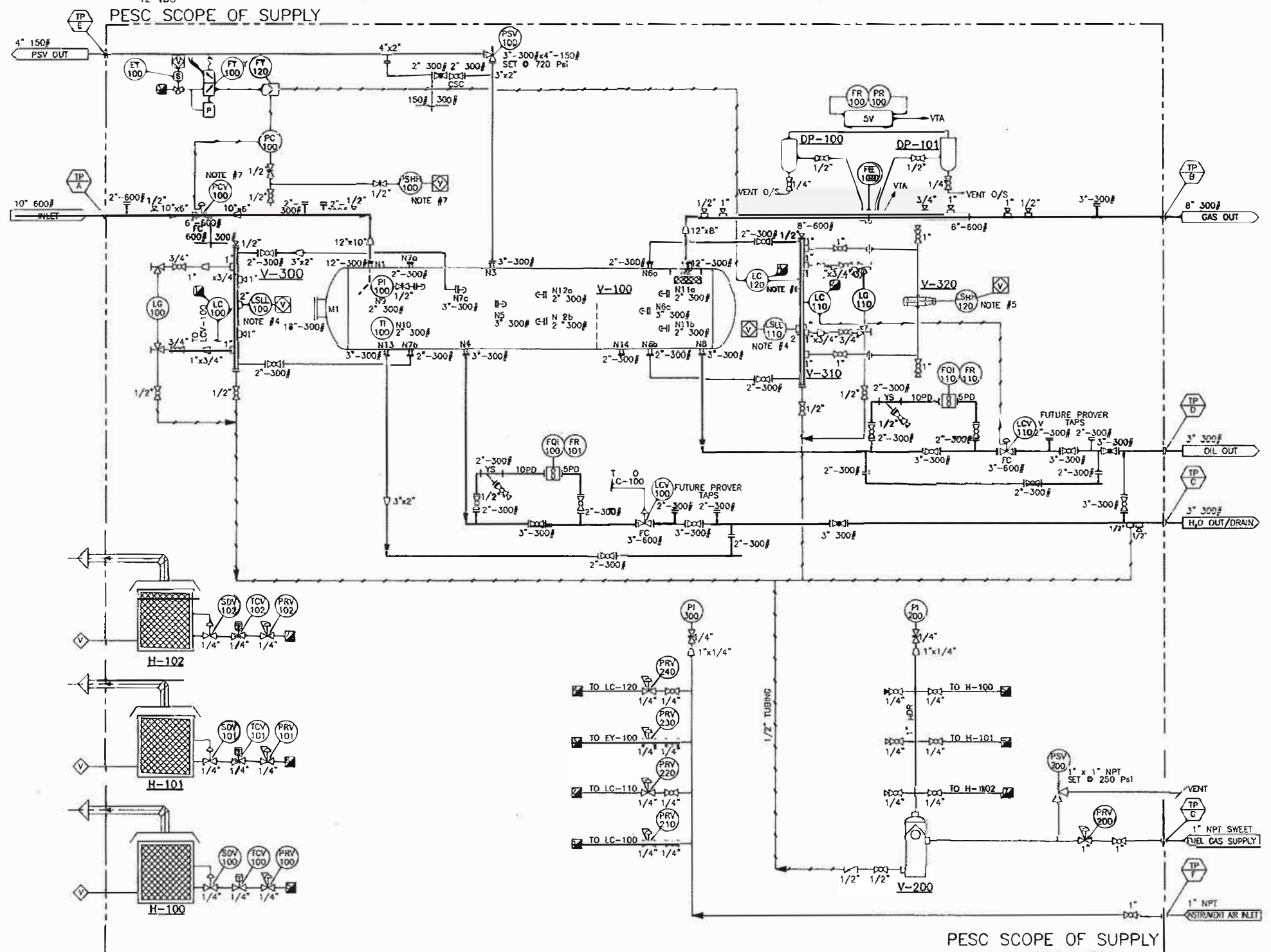
INSTR #	QTY	DESCRIPTION
DP/100/101	2	PESC 4" x 8" DRIP POTS, CRN 0H07051.213
EY-100	1	ASCO MODEL B314 24VDC 3 WAY SST SOLENOID VALVE
FE-100	1	REMANUFACTURED 8"-600# SCH 80 RF SR DANIEL METER RUN AGA JC 2000, NACE, c/w FLOW CONDITIONER (SOUR)
FY-100	1	AMOT 4057CG 3-WAY VALVE (AUTO RESET)
FY-120	1	FAIRCHILD REVERSING BIAS RELAY, PART# 25433E, 3/8" CONNECTION
PC-100	1	FISHER 4150 PRESSURE CONTROLLER, 0-1500 Psi 316SS BOURDON TUBE REVERSE ACTING
PI-100	1	1/2" BM, LF, DS, 0-1000 Psi SST IN/OUT 4" FACE MARSH OR EQUAL c/w 2"-300# x 1/2" NPT BLIND, B7M STUDS, 2HM NUTS, 316SS GASKETS
LC-120	1	NORRISEAL 1001A D.A. THROTTLING CONTROL, VERTICAL, PVC DISPLACER c/w 4" 300# x 2" NPT HUB BLIND, B7M STUDS, 2HM NUTS, 316SS GASKETS, 22" FLOAT ARM
LC-100/110	2	NORRISEAL 1001A c/w VERTICAL PVC DISPLACER-7/8" x 12" c/w 4"-300# x 2" NPT HUB BLIND, B7M STUDS, 2HM NUTS, 316SS GASKETS c/w (2)-22" FLOAT ARMS
LSLL-100/110	3	KIMRAY MODEL 2200-SLS-SS6 FLOAT M/O, 2" MNPST SST ELECTRIC LEVEL SWITCH, CAT# CEC2
TI-100	1	3" DIAL x 6" STEM -40"-120" DS c/w 3/4" x 1/2" x 6" SST THERMAL WELL c/w 2"-300# x 3/4" HUB BLIND, B7M STUDS, 2HM NUTS, 316SS GASKETS
LG-100	1	DANIEL OR EQUAL TRANSPARENT GAUGE 72IL 28 1/2" END TO END 26 1/2" VISIBLE
LG-110	1	DANIEL OR EQUAL REFLEX GAUGE 62RL 28 1/2" END TO END 26 1/2" VISIBLE
LCV-100/110	2	FISHER OR EQUAL 3"-600# ET VALVES c/w 667-45 ACT FAIL CLOSE (SOUR)
PRV-200	1	WELLMARK 2002P1 1" NPT 1/4" ORIFICE 70-150 Psi (SWEET)
PRV-210/220/230/240	4	FISHER 67 CFR 0-35 Psi (SWEET)
PI-200/300	2	1/4" BM, LF, DS, 0-300 Psi SST IN/OUT MARSH OR EQUAL
PSV-100	1	FARRIS 3" 300# x 4" 150# SET AT 720 PSI (SOUR)
PSV-200	1	TAYLOR 1" x 1" NPT SET AT 250 PSI MODEL 8200 (SWEET)
PCV-100	1	FISHER OR EQUAL 6"-600# ET-667-45 ACT CONTROL VALVE FAIL CLOSE
PSHH-100	1	CCS-6900GE-20 ELECTRIC PRESSURE SWITCH, 1/2" SST BM, SET POINT RANGE 225-925 PSI, SET POINT TBD BY CLIENT
FR-100/110	2	2" 300# RF EZ-BY NUFLO TURBINES C/W 2" INTERNALS CENTRALIZERS, EXTENSION, PICK UP AND MC II TOTALIZER
FR/PR-100	1	REMANUFACTURED BARTON 2-PEN 100" WC X 1000 PSI STATIC, NACE BOUNDARY

**VALVE LIST**

TYPE	QTY	DESCRIPTION
BALL VALVE	12	1/4" NAVCO C1 SST 1500# RP THRD
BALL VALVE	10	1/2" NAVCO C1 SST 1500# RP THRD
BALL VALVE	4	3/4" NAVCO C1 SST 1500# RP THRD
BALL VALVE	6	1" NAVCO C1 SST 1500# RP THRD
BALL VALVE	10	2"-300# RF RP SOUR SERVICE WKM OR EQUAL
BALL VALVE	1	2"-300# RF RP SOUR SERVICE WKM OR EQUAL, C.S.C
BALL VALVE	5	3"-300# RF RP SOUR SERVICE WKM OR EQUAL
GLOBE VALVE	1	2"-300# MANUAL GLOBE VALVE (SOUR)
GLOBE VALVE	2	3"-300# MANUAL GLOBE VALVES (SOUR)
NEEDLE VALVE	3	1/2" x 1/2" F x F 6000 SST MARSH OR EQUAL
NEEDLE VALVE	2	1/4" x 1/4" F x F 6000 SST MARSH OR EQUAL
CHECK VALVE	1	1/2" NPT CHECK VALVE
Y-STRAINER	2	2" 300# RF Y-STRAINER
BLIND FLANGE	6	2" 300# RF, SA-105N
BLIND FLANGE	2	3" 300# RF, SA-105N
TAPED FLANGE	1	2" 300# RF BLIND FLANGE c/w 1/2" NPT D/T, SA-105N
TAPED FLANGE	1	2" 300# RF BLIND FLANGE c/w 3/4" NPT D/T, SA-105N

**NOTES:**

- TUBING 316 SST WELDED .035 WALL
- TUBE FITTING SST 316 PARKER ALOK FITTINGS
- THREADED PIPE SCH 80 3000# FITTINGS
- LSLL-100 & LSLL-110 ELEVATION LOCATE 3" ABOVE BOTTOM INSIDE VESSEL
- LSHH-120 ELEVATION LOCATE 4"-5" BELOW TOP OF INSIDE VESSEL
- LC-120 CONTROL, 43" ABOVE BOTTOM INSIDE VESSEL 75%
- NO POCKETING OF SENSING LINES ON PC-100 & PSHH-100
- BUILDING: GALVALUME EXT. ALUM. INT. GABLE ROOF  
2-3'x7' MAN DOORS C/W IMG GLASS, LOCKING, PANIC HARDWARE, CHECK CHAIN, WEATHER STRIPPING & THRESHOLD  
2-40'x40' SLIDING WINDOWS C/W SCREEN & LOCK,  
2-12'x10' MANUAL SLIDING LouVERS, R12 INSULATION WALL & ROOF, 4 mil VAPOR BARRIER



NOTES:

20587-SKD-01	STRUCTURAL STEEL - PLAN	D	ISSUED FOR CONSTRUCTION	EB	12/07/25	BX	RWS
20587-CA-01	GENERAL ARRANGEMENT - PLAN	A	ISSUED FOR APPROVAL	CL	12/03/21	BX	RWS

ENGINEER'S STAMP

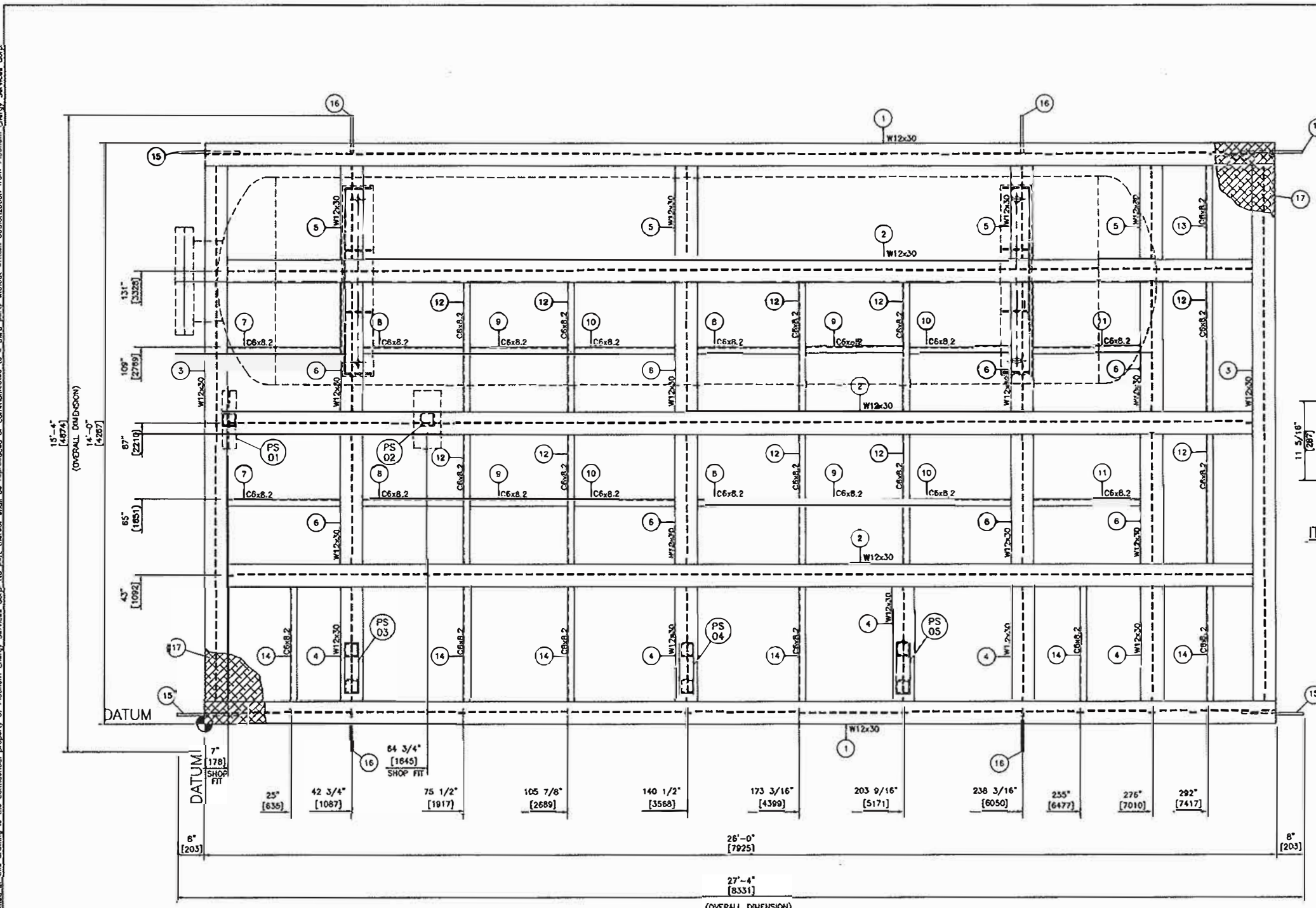
REV	DESCRIPTION	BY	DATE	CHKD	APPD
1	AS BUILT	EB	12/07/25	BX	RWS
2	ISSUED FOR CONSTRUCTION	EB	12/03/30	BX	RWS
3	ISSUED FOR APPROVAL	CL	12/03/21	BX	RWS

PLATINUM Energy Services Corp. CALGARY, ALBERTA

CLIENT	TITLE
	60" OD x 20'-0" S/S 720 PSI HORIZONTAL SEPARATOR
JOB NO. 20587	DRAWING NO. 20587-PID-01
SCALE 1"=10'	REV 1

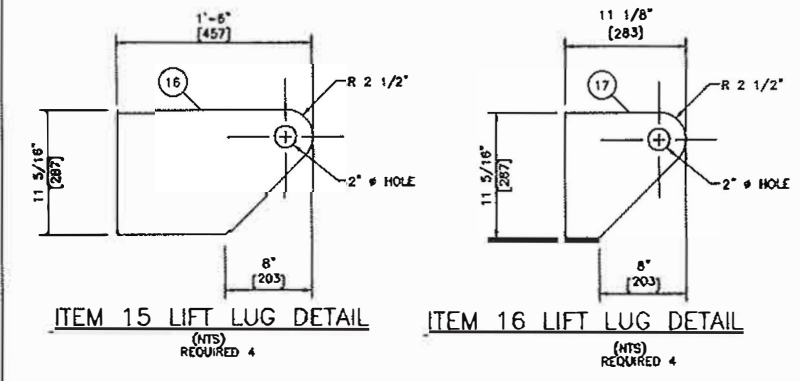
The information contained in this drawing is the confidential property of Platinum Energy Services Corp. No part hereof shall be reproduced or communicated to a third party without written authorization from Platinum Energy Services Corp.

The information published in this drawing is the confidential property of Platinum Energy Services Corp. No part thereof shall be reproduced or communicated to a third party without written authorization from Platinum Energy Services Corp.



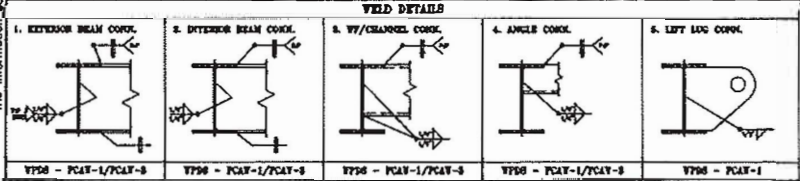
BILL OF MATERIAL				
ITEM	REQ	DESCRIPTION	MATERIAL	HEAT #
1	2	W12 x 30 x 26'-0" Lg	SA36/44W	
2	3	W12 x 30 x 25'-5 1/4" Lg	SA36/44W	
3	2	W12 x 30 x 13'-5 1/4" Lg	SA36/44W	
4	5	W12 x 30 x 3'-3 7/16" Lg	SA36/44W	
5	4	W12 x 30 x 2'-9 7/16" Lg	SA36/44W	
6	8	W12 x 30 x 3'-7 3/4" Lg	SA36/44W	
7	2	C6 x 8.2 x 3'-3 1/4" Lg	SA36/44W	
8	4	C6 x 8.2 x 2'-8 9/16" Lg	SA36/44W	
9	4	C6 x 8.2 x 2'-6 3/16" Lg	SA36/44W	
10	4	C6 x 8.2 x 2'-10 5/16" Lg	SA36/44W	
11	2	C6 x 8.2 x 3'-1 9/16" Lg	SA36/44W	
12	10	C6 x 8.2 x 3'-7 3/4" Lg	SA36/44W	
13	1	C6 x 8.2 x 2'-9 7/16" Lg	SA36/44W	
14	6	C6 x 8.2 x 3'-3 7/16" Lg	SA36/44W	
15	4	LIFT LUGS 1" THK PLATE, 11 5/16" x 18" (CUT PER DWG)	SA36	
16	4	LIFT LUGS 1" THK PLATE, 11 5/16" x 11 1/8" (CUT PER DWG)	SA36	
17	1	1/4" THK CHECKER PLATE, 14'-0" x 26'-0"	SA36	

\*ALL BOM ITEMS DO NOT INCLUDE WELD GAP



**GENERAL STRUCTURAL STEEL NOTES:**

- ALL DIMENSIONS ARE IN INCHES UNLESS NOTED. ALL ELEVATIONS ARE REFERRED FROM TOP OF SKID FLOOR.
- ALL WORK SHALL GENERALLY CONFORM TO THE LATEST EDITIONS OF THE FOLLOWING CODES AND STANDARDS:  
CSA W47.1-03  
CISC HANDBOOK OF STEEL CONSTRUCTION
- ALL STEEL SHALL BE OF NEW STOCK AND SHALL BE IN ACCORDANCE WITH CSA G40.21-M. STRUCTURAL STEEL SHALL GRADE 300M. PLATE MATERIAL SHALL BE 44W. EXCEPT CHECKERED PLATE TO BE A-36.
- WELDING SHALL BE IN GENERAL CONFORMANCE WITH CSA W59-2003. FILLER METAL SHALL CONFORM TO CSA STD. W48.5-M - E4802C-6-CH. WELDS TO BE 6mm CONTINUOUS FILLET WELD UNLESS NOTED. USE PESC WELDING PROCEDURE AS SHOWN IN WELDING DETAILS.
- SURFACES AND EDGES TO BE WELDED SHALL BE SMOOTH, UNIFORM AND FREE FROM FINIS, CRACKS. ALSO WITH IN 50mm OF ANY WELD LOCATION, FREE FROM LOOSE OR THICK SCALE, SLAS, RUST, PAINT, GREASE, MOISTURE etc. W59-03 5.3.1
- SKID FRAMING SHALL BE OF SOLID WELDED CONSTRUCTION, 6mm CONTINUOUS FILLET WELDS. COPE ALL FRAMING MEMBERS INTO ONE ANOTHER.
- CHECKERED PLATE SEAMS TO BE SEAL WELDED CONTINUOUSLY ON TOP SIDE. STITCH WELDED TO UNDERSIDE USING 5mm FILLETS 50mm AT 300mm INTERVALS. FCW-1.
- CLEAN ALL STEEL SURFACES PRIOR TO PAINTING TO SSPC-SP3
- PAINT: (2) COATS DTM WARM GRAY.
- WEIGHT OF STRUCTURAL STEEL SKID = 11,430 lbs (5,195 kg)
- SHIPPING DIMENSIONS: 14'-0" x 26'-0" (4,267mm x 7,925mm)
- FULL PEN WELDS ON MAIN MEMBERS.



NOTES:

20587-SKD-02	STRUCTURAL STEEL - PIPE SUPPORT DETAILS	1	AS BUILT	EB	12/07/25	BX	RWS
20587-GA-01	GENERAL ARRANGEMENT - PLAN	0	ISSUED FOR CONSTRUCTION	EB	12/03/30	BX	RWS
20587-PID-01	PIPING & INSTRUMENTATION DIAGRAM	A	ISSUED FOR APPROVAL	CL	12/03/21	BX	RWS

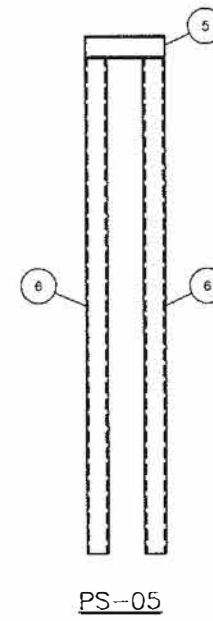
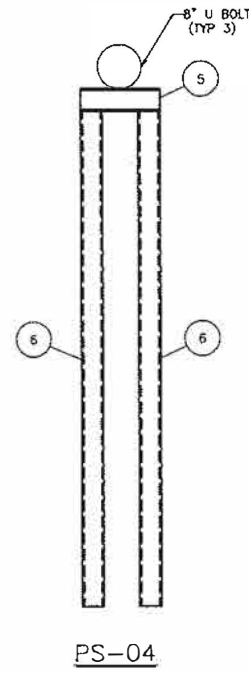
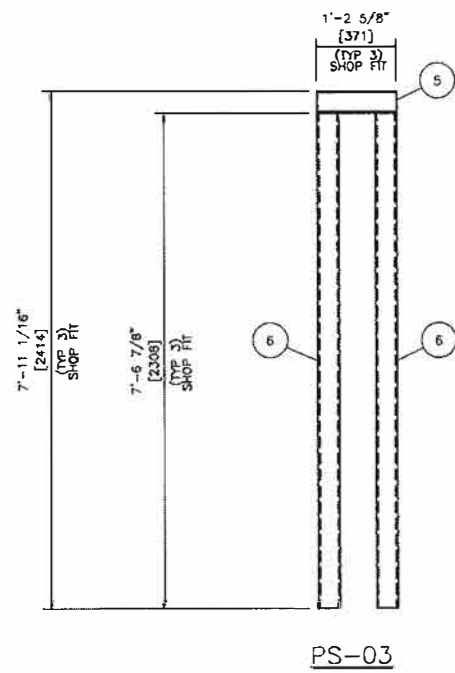
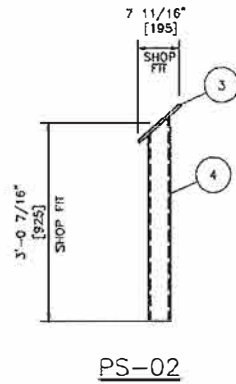
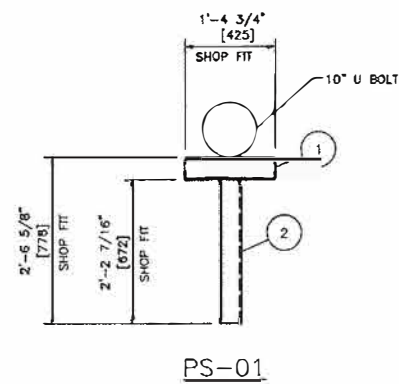
REV	DESCRIPTION	BY	DATE	CHK'D	APP'D

 CALGARY, ALBERTA	DRAWN BY: SW 11/05/06 CRKD BY: BX 11/05/06 APP'D BY: RWS 11/05/06 CAD REF: 20587-SKD-01.dwg SCALE: 3/4"=1'-0"	CLIENT: U TITLE: 60" OD x 20'-0" S/S 720 Psi HORIZONTAL SEPARATOR JOB NO.: 20587 DRAWING NO.: 20587-SKD-01 REV: 1
	ENGINEER'S STAMP	
	REFERENCE DRAWINGS REV DESCRIPTION BY DATE CHK'D APP'D	
	NOTES:	

The information contained in this drawing is the confidential property of Platinum Energy Services Corp. No part thereof shall be reproduced or communicated to a third party without written authorization from Platinum Energy Services Corp.

BILL OF MATERIAL				
ITEM	REQ'D	DESCRIPTION	MATERIAL	HEAT #
1	1	W4 x 13 x 1'-4 3/4" Lg	SA36/44W	-
2	1	4" x 4" x 1/4" SQ. TUBE X 2'-2 7/16" Lg	SA36/44W	-
3	1	1/2" THK FLAT PLATE (SHOP FIT)	SA36/44W	-
4	1	4" x 4" x 1/4" SQ. TUBE X 3'-0 7/16" Lg	SA36/44W	-
5	3	W4 x 13 x 1'-2 5/8" Lg	SA36/44W	-
6	6	4" x 4" x 1/4" SQ. TUBE X 7'-6 7/8" Lg	SA36/44W	-

\*ALL BOM ITEMS DO NOT INCLUDE WELD GAP




NOTES:

NO.	DESCRIPTION	REV	BY	DATE	CHK'D	APP'D
1	AS BUILT		EB	12/07/25	BK	RWS
0	ISSUED FOR CONSTRUCTION		EB	12/03/30	BK	RWS
A	ISSUED FOR APPROVAL		CL	12/03/21	BK	RWS
	REFERENCE DRAWINGS					

ENGINEER'S STAMP

DRAWN BY	LL	11/06/10
CHKD BY	BX	11/06/10
APP'D BY	RWS	11/06/10
CAD REF	20587-SKD-02.dwg	SCALE 3/4" = 1'-0"

CLIENT					
TITLE					
JOB NO.	20587	DRAWING NO.	20587-SKD-02	REV	1

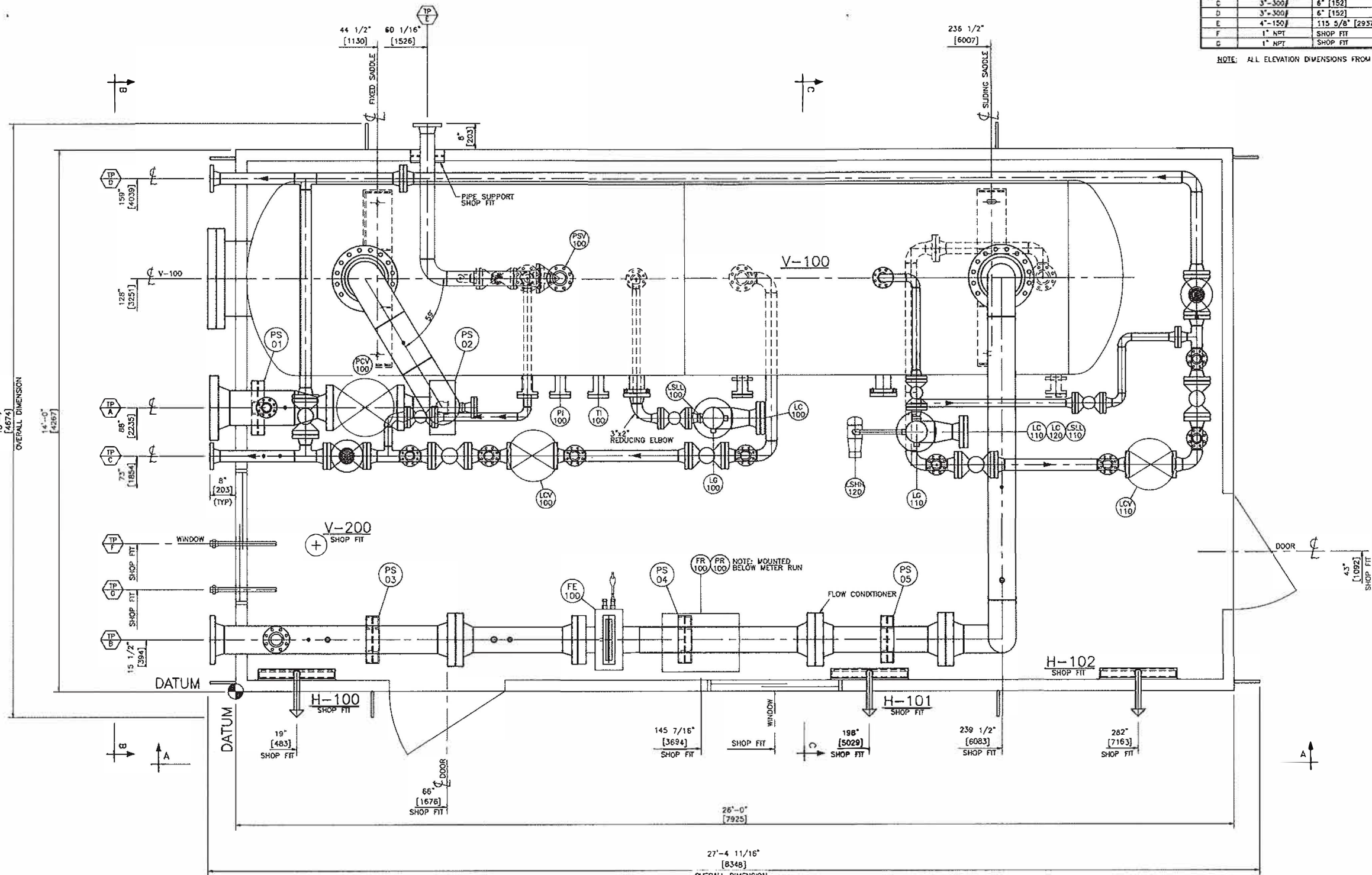
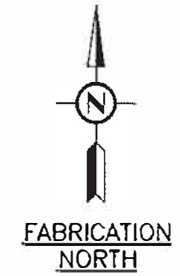
**PLATINUM**  
Energy Services Corp.  
CALGARY, ALBERTA

60" OD x 20'-0" S/S 720 Psi  
HORIZONTAL SEPARATOR-PIPE SUPPORT DETAILS

The information contained in this drawing is the confidential property of Platinum Energy Services Corp. No part thereof shall be reproduced or communicated to a third party without written authorization from Platinum Energy Services Corp.

TIE-IN SCHEDULE			
MARK	SIZE / RATING	ELEVATION	DESCRIPTION
A	10"-600#	36" [914]	INLET
B	8"-300#	99 3/8" [2523]	OUTLET
C	3"-300#	6" [152]	WATER OUT/ DRAIN
D	3"-300#	6" [152]	OL OUT
E	4"-150#	115 5/8" [2957]	PSV OUT
F	1" NPT	SHOP FIT	INSTRUMENT AIR INLET
G	1" NPT	SHOP FIT	SWEET FUEL GAS INLET

NOTE: ALL ELEVATION DIMENSIONS FROM TOP OF CHECKER PLATE.



27'-4 11/16" [8348]  
OVERALL DIMENSION  
PLAN VIEW

- NOTES:
1. PIPING CODE TO ANSI B31.3 (CURRENT EDITION).
  2. DIMENSIONS ARE IN IMPERIAL (METRIC).
  3. ELEVATION DATUM = T.O. CHK'D PL.
  4. TAIL DIMENSIONS ARE FROM SKID PLAN DATUM.
  5. EQUIPMENT AND STRUCTURES EXTENDING PAST SKID SHIPPING LIMITS ARE REMOVED FOR SHIPPING.
  6. OVERALL DIMENSIONS: 15'-4 11/16" W x 27'-4 11/16" L x 14'-10" EA
  7. SHIPPING DIMENSIONS: 15'-4 11/16" W x 27'-4 11/16" L x 14'-10" EA
  8. SHIPPING WEIGHT: 49,700 LBS (22,544 KG)

REFERENCE DRAWINGS	REV	DESCRIPTION	BY	DATE	CHKD	APPD
20587-GA-02	1	GENERAL ARRANGEMENT - ELEVATION	EB	12/07/25	BX	RWS
20587-SK0-01	0	STRUCTURAL STEEL - PLAN	EB	12/03/30	BX	RWS
20587-PID-01	A	PIPING & INSTRUMENTATION DIAGRAM	CL	12/03/21	BX	RWS

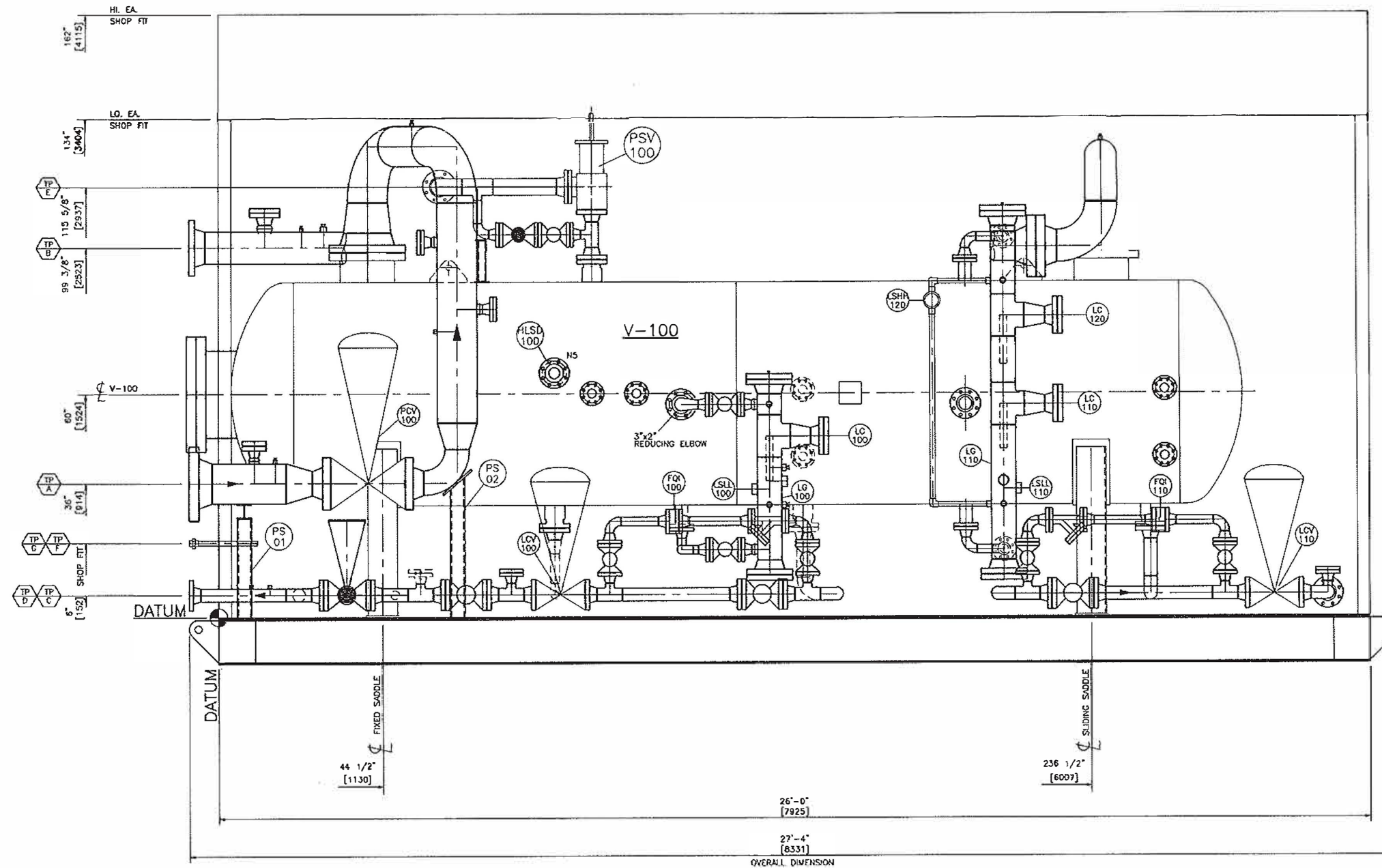
ENGINEER'S STAMP

DRAWN BY SW 11/05/06  
 CHKD BY BX 11/05/06  
 APPD BY RWS 11/05/06  
 CAD REF 20587-GA-01.dwg SCALE 3/4"=1'-0"

**PLATINUM**  
Energy Services Corp.  
CALGARY, ALBERTA

CLIENT	U	TITLE	60" OD x 20'-0" S/S 720 Psi HORIZONTAL SEPARATOR - GA - PLAN
JOB NO.		20587	DRAWING NO.
REV	1		

The information contained in this drawing is the confidential property of Platinum Energy Services Corp. No part thereof shall be reproduced or communicated to a third party without written authorization from Platinum Energy Services Corp.



VIEW 'A-A'

NOTES:

REFERENCE DRAWINGS	REV	DESCRIPTION	BY	DATE	CHK'D	APP'D
20587-GA-01	1	AS BUILT	EB	12/01/25	BX	RWS
20587-SKD-01	0	ISSUED FOR CONSTRUCTION	EB	12/03/30	BX	RWS
20587-PID-01	A	ISSUED FOR APPROVAL	CL	12/03/21	BX	RWS

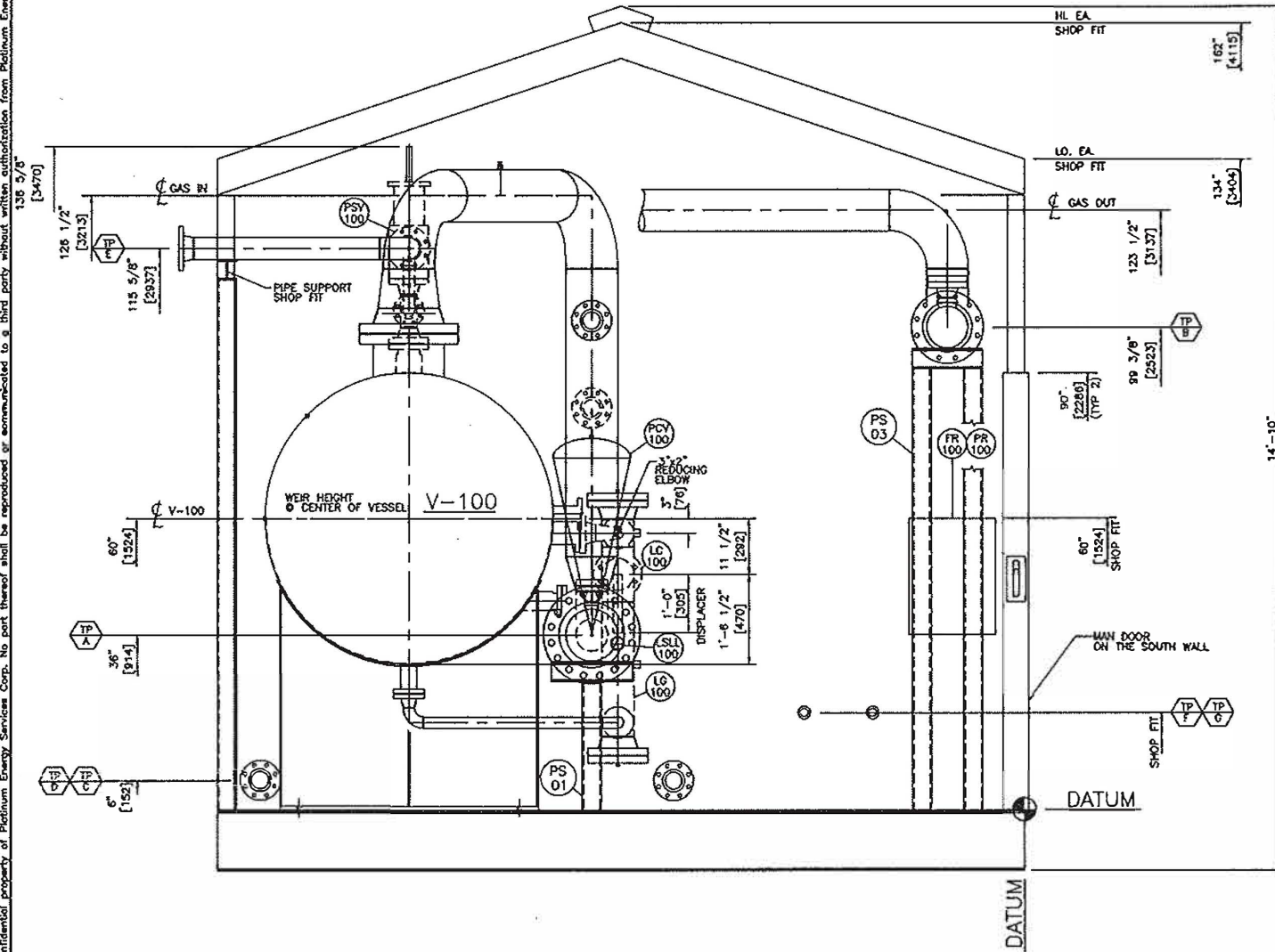
ENGINEER'S STAMP

DRAWN BY	SW	11/05/06
CHK'D BY	BX	11/05/06
APP'D BY	RWS	11/05/06
CAD REF	20587-GA-02.dwg	SCALE 3/4"=1'-0"

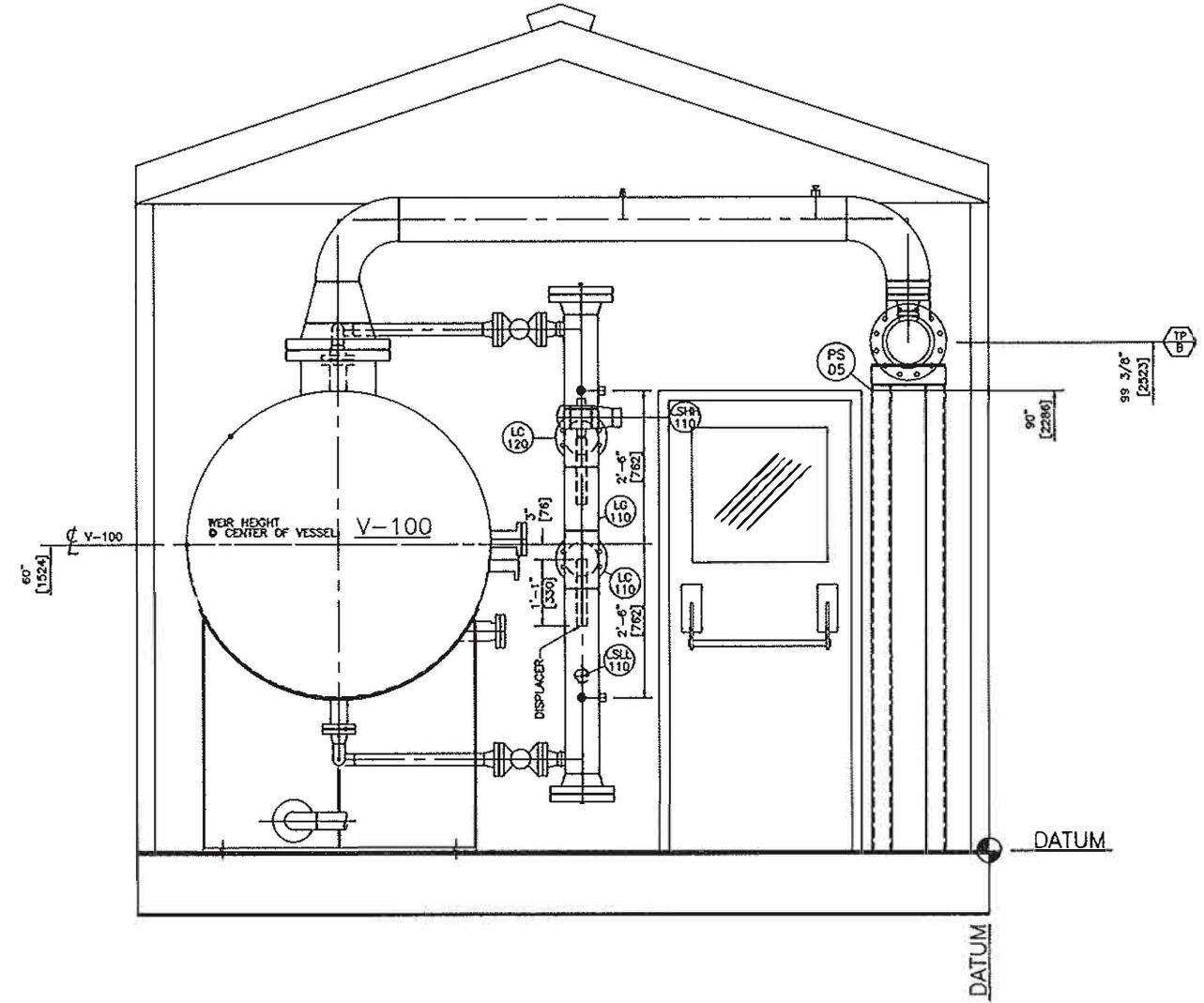
CLIENT	
TITLE	
TITLE	60" OD x 20'-0" S/S 720 Psi HORIZONTAL SEPARATOR - GA - VIEW 'A-A'
JOB NO.	20587
DRAWING NO.	20587-GA-02
REV	1



The information contained in this drawing is the confidential property of Platinum Energy Services Corp. No part thereof shall be reproduced or communicated to a third party without written authorization from Platinum Energy Services Corp.



VIEW 'B-B'



VIEW 'C-C'

NOTES:					ENGINEER'S STAMP				DRAWN BY SW 11/05/06		CLIENT			
									CHKD BY BX 11/05/06		U			
									APP'D BY RWS 11/05/06					
									CAD REF 20587-GA-03.dwg SCALE 3/4"=1'-0"		TITLE			
	20587-GA-01	GENERAL ARRANGEMENT - PLAN	I	AS BUILT	EB	12/07/25	BX	RWS	60" OD x 20'-0" S/S 720 Psi					
	20587-SKD-01	STRUCTURAL STEEL - PLAN	D	ISSUED FOR CONSTRUCTION	EB	12/03/30	BX	RWS	HORIZONTAL SEPARATOR - GA - SECTION VIEW					
	20587-PID-01	PIPING & INSTRUMENTATION DIAGRAM	A	ISSUED FOR APPROVAL	CL	12/03/21	BX	RWS	JOB NO.	20587	DRAWING NO.	20587-GA-03	REV	1
		REFERENCE DRAWINGS	REV	DESCRIPTION	BY	DATE	CHKD	APP'D	PLATINUM Energy Services Corp. CALGARY, ALBERTA					