

GENERAL NOTES:

1. UNLESS OTHERWISE SPECIFIED
 - a) ALL DIMENSIONS ARE IN mm
 - b) ALL WEIGHTS ARE IN kg
2. FABRICATE BELT GUARD AS REQUIRED (NOT SHOWN)
3. PROCESS PIPE SHALL BE IN ACCORDANCE WITH ASME B31.3
4. UNLESS OTHERWISE SPECIFIED ALL PROCESS PIPING BOLT HOLES TO STRADDLE CENTERLINES
5. UNLESS OTHERWISE SPECIFIED PIPE SHALL BE IN ACCORDANCE WITH ASTM A-106 GR.B.
6. ALL FULL DEPTH STRUCTURAL SKID MEMBERS (STACKED HSS TANKS AND BEAM) OVERALL DEPTHS WILL DIFFER
7. SKID FABRICATED WITH STRUCTURAL MEMBERS FLUSH ON TOP

PLAN VIEW

SCALE 1:30

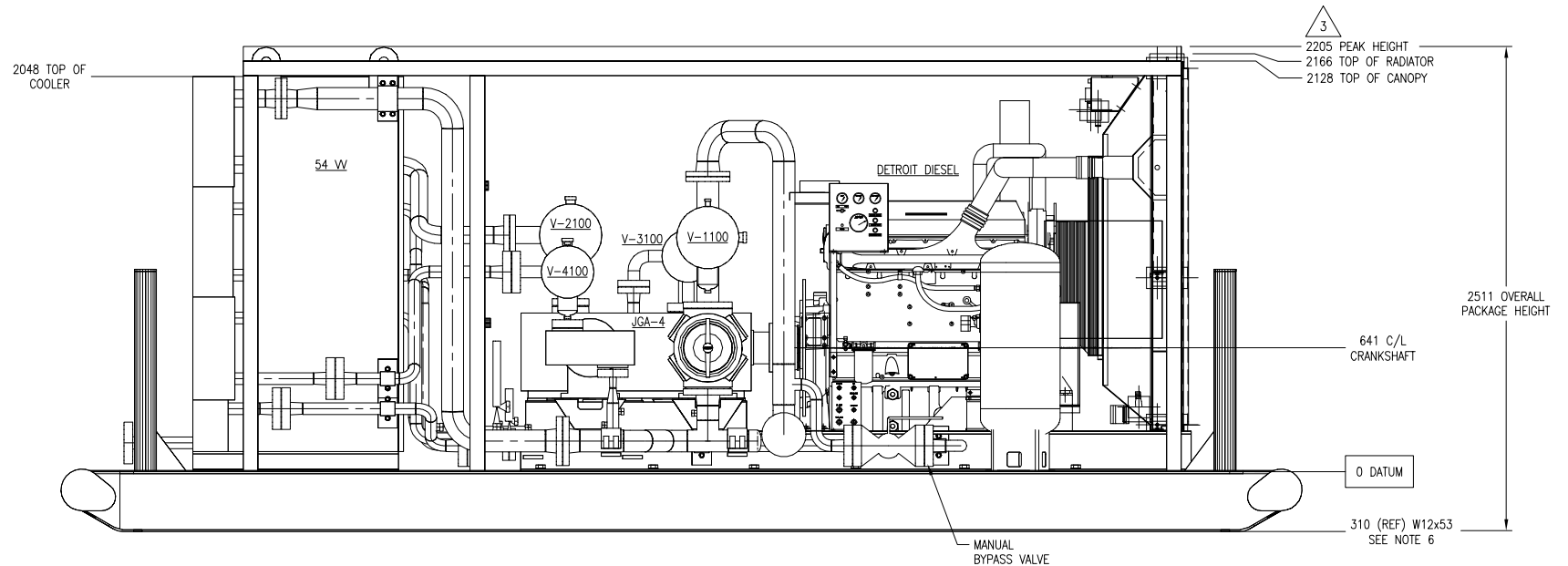
CANOPY REMOVED IN THIS VIEW FOR CLARITY

CYLINDER INFORMATION		REFERENCE DRAWINGS		REVISIONS				CUSTOMER					
STAGE	CYL BORE/MODEL	P&ID	DRAWING	REV	DESCRIPTION	DATE	DWN BY	CHK BY	APR BY	LOCATION			
STAGE 4	CYL BORE/MODEL: 1.175" M-FS (1.750" BORE)			3	REVISED ROOF CANOPY	11.07.03	CJM			ENHANCED DRILLING CORPORATE OFFICE 7550 EDGAR INDUSTRIAL DRIVE RED DEER, AB CANADA T4P 3R2 PHONE (403) 358-3200 FAX (403) 358-3210			
STAGE 3	CYL BORE/MODEL: 3" JG (2.750" BORE)			2	RAISED ROOF HEIGHT	11.06.03	CJM						
STAGE 2	CYL BORE/MODEL: 4-1/4" JG (3.875" BORE)		5556A03	0	REVISED DATUM	10.22.03	CJM						
STAGE 1	CYL BORE/MODEL: 6-1/2" JG (6.500" BORE)			0	ISSUED FOR CONSTRUCTION	10.14.03	CJM						

CUSTOMER			
ENHANCED DRILLING			
LOCATION			


Collicutt Energy Services Ltd.
 CORPORATE OFFICE
 7550 EDGAR INDUSTRIAL DRIVE
 RED DEER, AB CANADA T4P 3R2
 PHONE (403) 358-3200
 FAX (403) 358-3210

GENERAL ARRANGEMENT			
STAGES: 4	SERVICE: SWEET		
COMPRESSOR: JGA-4	ENGINE: DETROIT DIESEL		
DISTANCE PIECE: SHORT TWO	COUPLING: CMR-375		
COOLER: 54 WV	PANEL:		
JOB: FH330-333			
DWG: 5570B03	REV: 3	SHT: 1	5



ELEVATION VIEW
SCALE 1:30

GENERAL NOTES:

1. UNLESS OTHERWISE SPECIFIED
 - a) ALL DIMENSIONS ARE IN mm
 - b) ALL WEIGHTS ARE IN kg
2. FABRICATE BELT GUARD AS REQUIRED (NOT SHOWN)
3. ALL PIPING TO BE IN ACCORDANCE WITH THE LATEST EDITION OF ASME B31.3 PRESSURE PIPING CODE.
4. UNLESS OTHERWISE SPECIFIED ALL PROCESS PIPING BOLT HOLES TO STRADDLE CENTERLINES
5. UNLESS OTHERWISE SPECIFIED PIPE SHALL BE IN ACCORDANCE WITH ASTM A-106 GR.B.
6. ALL FULL DEPTH STRUCTURAL SKID MEMBERS (STACKED HSS TANKS AND BEAM) OVERALL DEPTHS WILL DIFFER
7. SKID FABRICATED WITH STRUCTURAL MEMBERS FLUSH ON TOP
8. THE AREA AROUND STRAINERS TO BE CLEAR OF UTILITY PIPING FOR EASY REMOVAL

STAGE	CYL BORE/MODEL	DESCRIPTION	DRAWING	REV	REV	DESCRIPTION	DATE	DWN BY	CHK BY	APR BY
					3	REVISED ROOF CANOPY	11.07.03	CJM		
					2	RAISED ROOF HEIGHT	11.06.03	CJM		
					1	REVISED DATUM	10.22.03	CJM		
STAGE 2	CYL BORE/MODEL: 4-1/4" JG (3.875" BORE)	P&ID	5556A03	0	0	ISSUED FOR CONSTRUCTION	10.14.03	CJM		
STAGE 1	CYL BORE/MODEL: 6-1/2" JG (6.500" BORE)	DESCRIPTION	DRAWING	REV	REV	DESCRIPTION	DATE	DWN BY	CHK BY	APR BY
CYLINDER INFORMATION		REFERENCE DRAWINGS			REVISIONS					

CUSTOMER
ENHANCED DRILLING

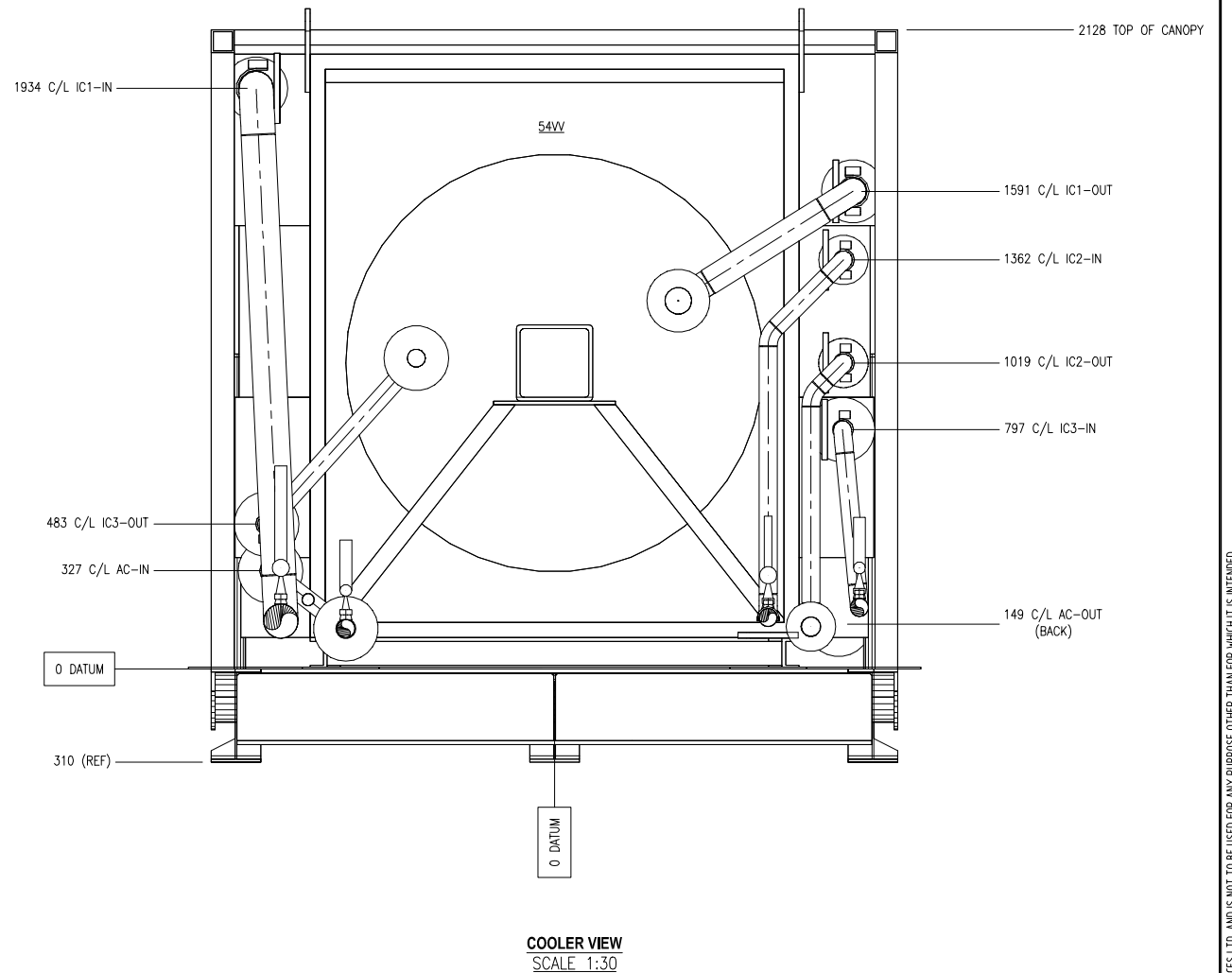
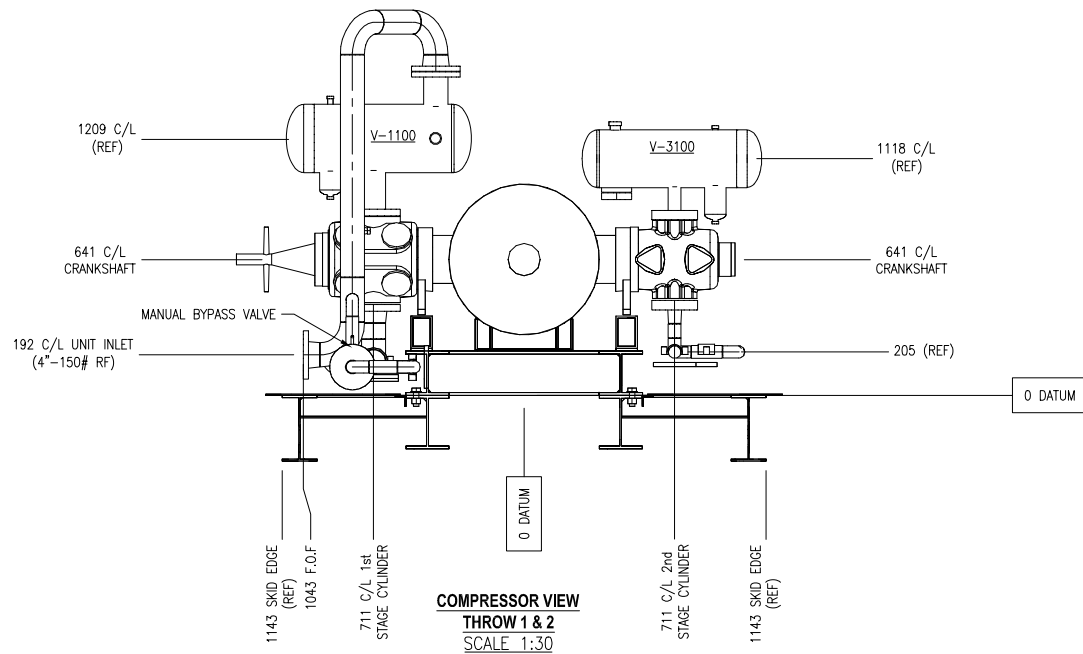
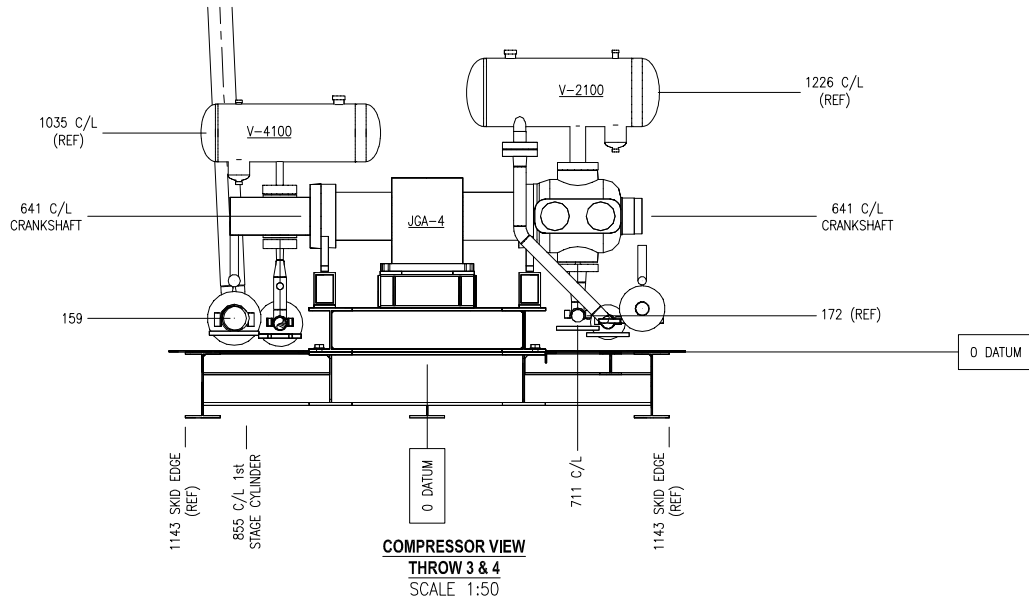
LOCATION

Collicutt Energy Services Ltd.

CORPORATE OFFICE
7550 EDGAR INDUSTRIAL DRIVE
RED DEER, AB CANADA T4P 3R2
PHONE (403) 358-3200
FAX (403) 358-3210

GENERAL ARRANGEMENT			
STAGES: 4	SERVICE: SWEET		
COMPRESSOR: JGA-4	ENGINE: DETROIT DIESEL		
DISTANCE PIECE: SHORT TWO	COUPLING: CMR-375		
COOLER: 54 VV	PANEL:		
DWG: FH330-333	REV: 3	SHT: 2/5	
5570B03			

THIS DRAWING IS THE PROPERTY OF COLLICUTT ENERGY SERVICES LTD. AND IS NOT TO BE USED FOR ANY PURPOSE OTHER THAN FOR WHICH IT IS INTENDED.



CYLINDER INFORMATION		REFERENCE DRAWINGS		REVISIONS			
STAGE	CYL BORE/MODEL	DESCRIPTION	DRAWING	REV	DESCRIPTION	DATE	DWN BY
STAGE 4	CYL BORE/MODEL: 1.175" M-FS (1.750" BORE)			3	REVISED ROOF CANOPY	11.07.03	CJM
STAGE 3	CYL BORE/MODEL: 3" JG (2.750" BORE)			2	RAISED ROOF HEIGHT	11.06.03	CJM
STAGE 2	CYL BORE/MODEL: 4-1/4" JG (3.875" BORE)	P&ID	5556A03	1	REVISED DATUM	10.22.03	CJM
STAGE 1	CYL BORE/MODEL: 6-1/2" JG (6.500" BORE)			0	ISSUED FOR CONSTRUCTION	10.14.03	CJM

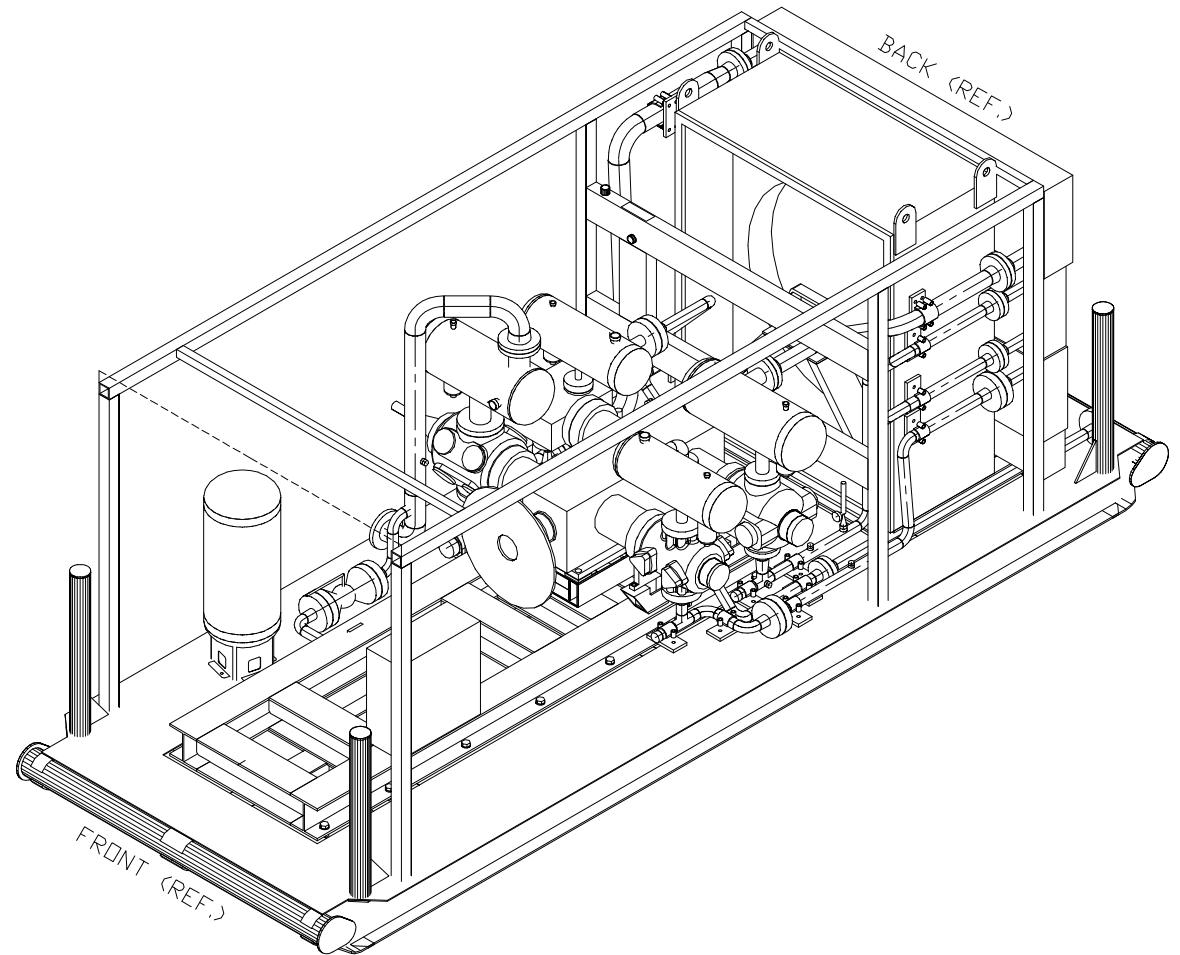
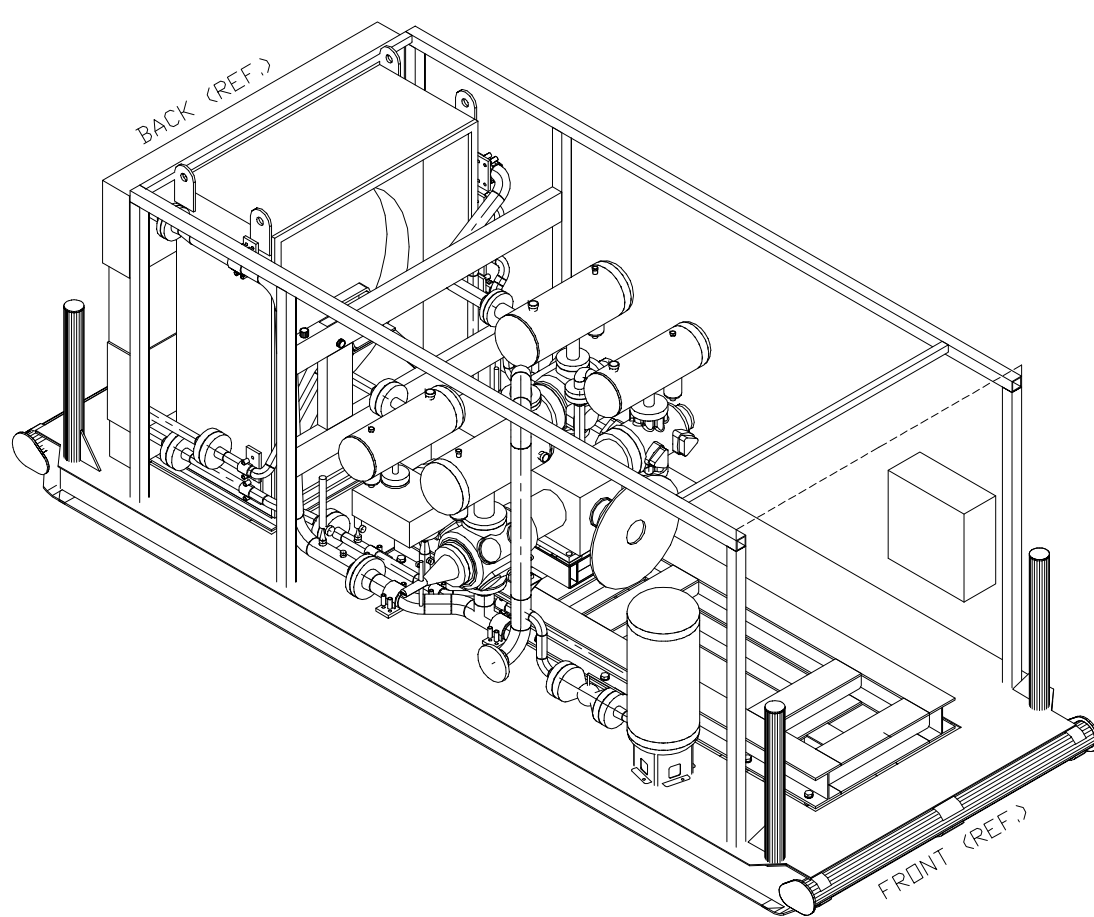
CUSTOMER			
LOCATION			
ENHANCED DRILLING			
7550 EDGAR INDUSTRIAL DRIVE RED DEER, AB CANADA T4P 3R2 PHONE (403) 358-3200 FAX (403) 358-3210			

Collicutt Energy Services Ltd.

CORPORATE OFFICE
7550 EDGAR INDUSTRIAL DRIVE
RED DEER, AB CANADA T4P 3R2
PHONE (403) 358-3200
FAX (403) 358-3210

GENERAL ARRANGEMENT			
STAGES: 4	COMPRESSOR: JGA-4	SERVICE: SWEET	ENGINE: DETROIT DIESEL
DISTANCE PIECE: SHORT TWO	COOLER: 54 VV	COUPLING: CMR-375	PANEL:
JOB # FH330-333		DWG # 5570B03	
REV 3	SHT 3/5		

THIS DRAWING IS THE PROPERTY OF COLLICUTT ENERGY SERVICES LTD. AND IS NOT TO BE USED FOR ANY PURPOSE OTHER THAN FOR WHICH IT IS INTENDED.



ISOMETRIC VIEW
NOT TO SCALE
ENGINE REMOVED IN THESE VIEWS FOR CLARITY

CYLINDER INFORMATION		REFERENCE DRAWINGS			REVISIONS					
STAGE	CYL BORE/MODEL	P&ID	DRAWING	REV	REV	DESCRIPTION	DATE	DWN BY	CHK BY	APR BY
STAGE 4	CYL BORE/MODEL: 1.175" M-FS (1.750" BORE)				3	REVISED ROOF CANOPY	11.07.03	CJM		
STAGE 3	CYL BORE/MODEL: 3" JG (2.750" BORE)				2	RAISED PEAK HEIGHT	11.06.03	CJM		
STAGE 2	CYL BORE/MODEL: 4-1/4" JG (3.875" BORE)	P&ID	5556A03	0	1	REVISED DATUM	10.22.03	CJM		
STAGE 1	CYL BORE/MODEL: 6-1/2" JG (6.500" BORE)				0	ISSUED FOR CONSTRUCTION	10.14.03	CJM		

CUSTOMER	
ENHANCED DRILLING	
LOCATION	

Collicutt Energy Services Ltd.

CORPORATE OFFICE
7550 EDGAR INDUSTRIAL DRIVE
RED DEER, AB CANADA T4P 3R2
PHONE (403) 358-3200
FAX (403) 358-3210

GENERAL ARRANGEMENT	
STAGES: 4	SERVICE: SWEET
COMPRESSOR: JGA-4	ENGINE: DETROIT DIESEL
DISTANCE PIECE: SHORT TWO	COUPLING: CMR-375
COOLER: 54 VV	PANEL:
JOB NO: FH330-333	
DWG NO: 5570B03	REV: 3
	SHT: 4/5

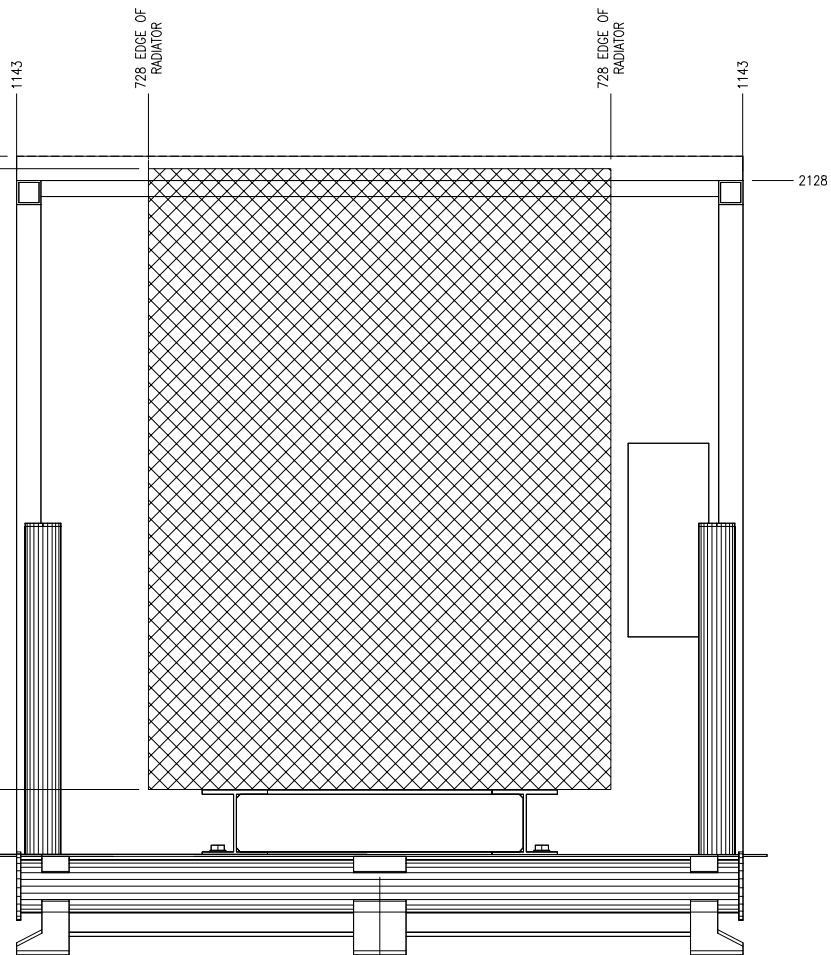
THIS DRAWING IS THE PROPERTY OF COLLICUTT ENERGY SERVICES LTD. AND IS NOT TO BE USED FOR ANY PURPOSE OTHER THAN FOR WHICH IT IS INTENDED.

3

2205 PEAK HEIGHT
2166 TOP OF RADIATOR

210 BOTTOM OF RADIATOR

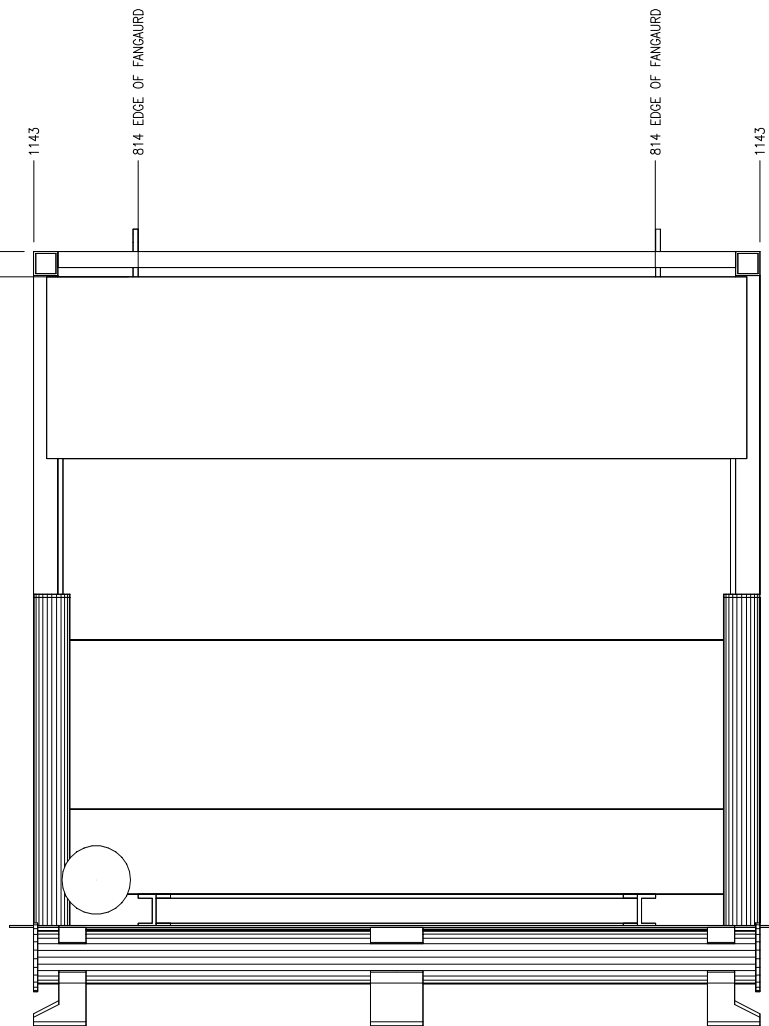
0 DATUM



BACK ELEVATION VIEW
SCALE 1:20

2042 TOP OF COOLER

2128



FRONT ELEVATION VIEW
SCALE 1:20

STAGE	CYL BORE/MODEL	P&ID	DRAWING	REV	REV	DESCRIPTION	DATE	DWN BY	CHK BY	APR BY
STAGE 4	CYL BORE/MODEL: 1.175" M-FS (1.750" BORE)				3	REVISED CANOPY ROOF	11.07.03	CJM		
STAGE 3	CYL BORE/MODEL: 3" JG (2.750" BORE)				2	RAISED ROOF HEIGHT	11.06.03	CJM		
STAGE 2	CYL BORE/MODEL: 4-1/4" JG (3.875" BORE)	P&ID	5556A03	0	1	REVISED DATUM	10.22.03	CJM		
STAGE 1	CYL BORE/MODEL: 6-1/2" JG (6.500" BORE)				0	ISSUED FOR CONSTRUCTION	10.14.03	CJM		
CYLINDER INFORMATION		REFERENCE DRAWINGS			REVISIONS					

CUSTOMER			
ENHANCED DRILLING			
LOCATION			

Collicutt Energy Services Ltd.

CORPORATE OFFICE
7550 EDGAR INDUSTRIAL DRIVE
RED DEER, AB CANADA T4P 3R2
PHONE (403) 358-3200
FAX (403) 358-3210

GENERAL ARRANGEMENT			
STAGES: 4	COMPRESSION: JGA-4	DISTANCE PIECE: SHORT TWO	COOLER: 54 VV
SERVICE: SWEET	ENGINE: DETROIT DIESEL	COUPLING: CMR-375	PANEL:
JOB: FH330-333			REV: 3
DWG: 5570B03			SHT: 5/5

THIS DRAWING IS THE PROPERTY OF COLLICUTT ENERGY SERVICES LTD. AND IS NOT TO BE USED FOR ANY PURPOSE OTHER THAN FOR WHICH IT IS INTENDED.