

29-E-5500
FUEL GAS HEATER
CALDEX - NEN 4 x 144

29-P-5700
METHANOL PUMP
GANT PUMP, MOD. P218
0.50PM @ 1500PSIG MAX.

29-PM-5700
METHANOL PUMP MOTOR
3/4 hp
480V/60Hz/3ph/TEFC
1725 RPM, LEESON MOTOR

29-UH-5100/5110
GLYCOL UNIT HEATERS
MAKE: RUFFENOX
MOTOR: 1/2 HP, 110V/XP
150°C IN @ 1000 kPaq

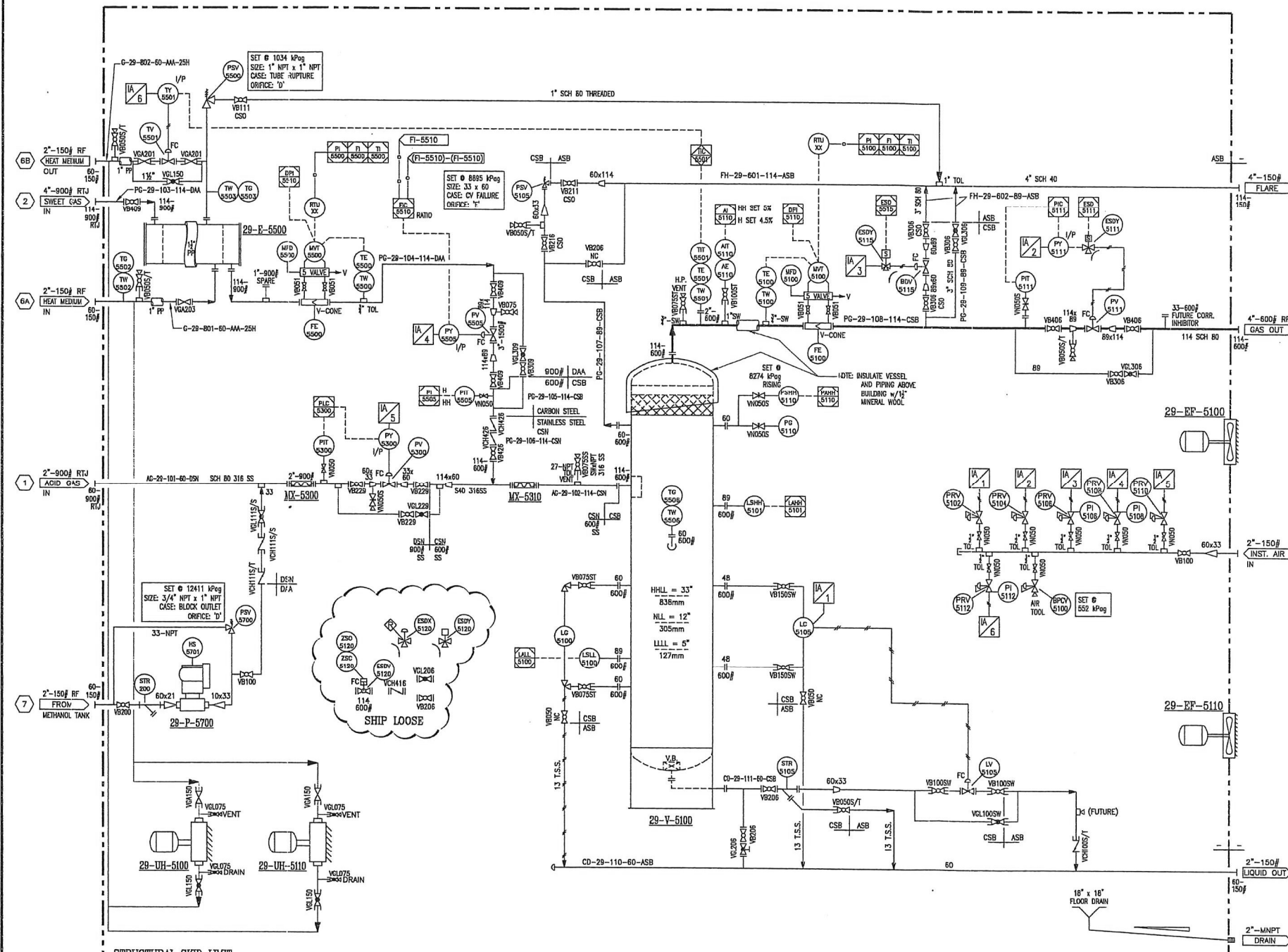
MX-5300
STATIC MIXER
BRAND: STARA FLOW
2"-900# RTJ, 316 SS, SCH 80
4"-600# RT, 316 SS, SCH 10

MX-5310
STATIC MIXER
BRAND: STARA FLOW
4"-600# RT, 316 SS, SCH 10

29-V-5100
BLEND GAS SEPARATOR
SIZE: 610mm O.D. x 2266mm S/S
D.F.: 5307 kPaq @ 60°C
CORR. ALL = 3.16mm
SOUR SERVICE
STRESS RELIEVED

LIST OF MATERIALS			
ITEM	QTY	BRAND	DESCRIPTION
AE/MT-5110	1		H ₂ S ANALYZER - CUSTOMER SUPPLIED
BDV-5115	1	FISHER	2"-600# 667-D-40, FAL. CLOSE, 6-30# NACE, 3/4" TRIM
BPCV-5100	1	FISHER	1805 BACK PRESSURE REGULATOR
ESDY-5120	1	KF	4"-600# RT BALL VALVE, NACE, c/w BCTIS CS225-SR 80-11 ACTUATOR, FAL. CLOSE & POSITION SWITCH (ON/CLOSED) (SHIP LOOSE)
ESDX-5120	1	AMDT	4057 CP MANUAL RESET LATCH VALVE (SHIP LOOSE)
ESDY-5111/5120	2	ASCO	EP8320-0202-24V SOLENOID
ESDY-5115	1	ASCO	EP8320-0202-24V SOLENOID
FE-5100	1	MACROMETER	VEE CONE, 4"-600# - #W04K716N-B, SR0, SOUR
FE-5500	1	MACROMETER	VEE CONE, 4"-600# - #W04K717N-B, S120, SHEET
LC-5105	1	FISHER	L2, EXTERNALLY CAGED, SNAP ACTING, HORIZONTAL FLOAT, 6-30# OUTPUT
LG-5100	1	PENBERTHY	TRANSPARENT LEVEL GAGE, 1715, c/w COCKS, NACE, 0 1/8" VISIBLE
LSHH-5101	1	SR	1510-CS4-C-WRES, 316 SS, NACE
LSLL-5100	1	SR	1510-CS4-C-WRES, 316 SS, NACE
LY-5105	1	FISHER	1"-600# RT, BA, F.C., 6-30# 3/8" TRIM
MFD-5100	1	ACCO	5 VALVE MANFOLD, NPT x FLANGE, 316 SS, #M04V05-4
MFD-5500	1	ACCO	5 VALVE MANFOLD, NPT x FLANGE, 316 SS, #M04V05-4
MY-5100	1	FISHER	3095A20B21A1A100CB MULTI VARIABLE SENSOR, w/ 3330 HART SPLITTER, NACE
MY-5500	1	FISHER	3095A20B21A1A100CB MULTI VARIABLE SENSOR, w/ 3330 HART SPLITTER, NACE
PG-5110	1	WIKA	PRESSURE GAUGE, 4" DIAL, 0-1500 PSIG DUAL SCALE, SS CASE & TUBE, #233.45
P-5100/5105/5112	3	WIKA	PRESSURE INDICATOR, 2 1/2" DIAL, 0-60 PSIG DUAL SCALE, DRY, BRASS
PI-5111	1	ROSEMOUNT	3051T042B21A100CB PRESS. IND. TRANSMITTER
PI-5300	1	ROSEMOUNT	3051T042B21A100CB PRESS. IND. TRANSMITTER
PI-5505	1	ROSEMOUNT	3051T042B21A100CB PRESS. IND. TRANSMITTER
PRV-5102-5112	6	FISHER	REGULATOR, 1/2" 67CPR, 0-35#
PSHH-5100	1	DUAL SNAP	8900-CZE-22, SET @ 8274 kPa RISING
PSY-5105	1	CROSBY	1"-600# x 2"-150#, SET @ 8895 kPaq (1280 PSIG), NACE, MODEL 1E2-J05-E45-H24 (SIZED FOR 7mm SCF/0)
PSY-5500	1	CROSBY	RELIEF VALVE, 1" x 1" NPT, SET @ 1034 kPaq, MODEL 9611, SWEET
PSY-5700	1	CROSBY	RELIEF VALVE, 3/4" x 1" NPT, SET @ 12411 kPaq, SWEET
PV-5111	1	FISHER	3"-600# 867-ET, NACE, F.C., 6-30#
PV-5300	1	FISHER	1"-1500# RTJ 867-HPS-45-N", SS BODY, FAL. CLOSE, 6-30#
PV-5505	1	FISHER	3"-1500# RTJ 867-HPT, NACE, 6-30#, F.C.
PV-5111	1	FISHER	DVC-6010 FIELD VUE POSITIONER, MOUNT TO PV-5111, HART
PV-5300	1	FISHER	DVC-6010 FIELD VUE POSITIONER, MOUNT TO PV-5300, HART
PV-5505	1	FISHER	DVC-6010 FIELD VUE POSITIONER, MOUNT TO PV-5505, HART
STR-200	1		Y-STRAINER, 2" 600# RT, NACE TRIM
STR-5105	1		Y-STRAINER, 2" 600# RT, NACE TRIM
TE-5100	1	ARCROM	100 Ohm, 3 WIRE, c/w 316SS WELL
TE-5500	1	ARCROM	100 Ohm, 3 WIRE, c/w 316SS WELL
TD-5502	1	WIKA	3" DIAL, c/w 304SS WELL, 0°F TO 250°F, 1" NPT
TD-5503	1	WIKA	3" DIAL, c/w 304SS WELL, 0°F TO 250°F, 1" NPT
TD-5506	1	WIKA	3" DIAL, c/w 316SS WELL, -20°F TO +250°F, 12" LONG
TI-5501	1	ROSEMOUNT	TEMP. TRANSMITTER, #44HW818R
TY-5501	1	FISHER	2"-300#, CONTROL VALVE, #03, 3/4" TRIM, F.C., THROTTLING
TY-5501	1	FISHER	TRANSDUCER, MODEL 546

VALVE LIST			
ITEM	QTY	BRAND	DESCRIPTION
VB050	2	WKM	BALL VALVE, 1/2" NPT 2000#, NACE
VB050S/T	5	WORCESTER	BALL VALVE, 1/2" SOCKET WELD x NPT, 2000#, NACE
VB051	4	WKM	BALL VALVE, 1/2" NPT 2000#, FULL PORT, NACE
VB075	1	WKM	BALL VALVE, 3/4" NPT 2000#, SWEET
VB075S/T	3	WKM	BALL VALVE, 3/4" SOCKET WELD x NPT 2000#, NACE
VB075S	1	WKM	BALL VALVE, 3/4" SOCKET WELD x NPT, 316 STAINLESS STEEL, NACE
VB100	2	WKM	BALL VALVE, 1" NPT 2000#, SWEET
VB100S/T	1	WKM	BALL VALVE, 1" SOCKET WELD x NPT, 2000#, NACE
VB100SW	2	WORCESTER	BALL VALVE, 1" SOCKET WELD, 2000#, NACE
VB111	1	WKM	BALL VALVE, 1" NPT 2000#, FULL PORT, NACE
VB150SW	2	WORCESTER	BALL VALVE, 1 1/2" NPT 2000#, SW
VB200	1	KF	BALL VALVE, 2" NPT 1500#, SHEET
VB206	4	KF	BALL VALVE, 2"-600#, RT, REG. PORT, NACE TRIM
VB211	1	KF	BALL VALVE, 2"-150#, RT, FULL PORT, NACE
VB216	1	PRV	BALL VALVE, 2"-600#, RT, FULL PORT, NACE TRIM
VB228	3	KF	BALL VALVE, 2"-1500#, RT, REG. PORT, ALL SS, #C2800-822291
VB306	4	KF	BALL VALVE, 3"-600#, RT, REG. PORT, NACE
VB309	1	HF	BALL VALVE, 3"-600#, RT, REG. PORT, SHEET
VB406	2	KF	BALL VALVE, 4"-600#, RT, REG. PORT, NACE
VB409	3	KF	BALL VALVE, 4"-800#, RT, REG. PORT, NACE
VB426	1	MAS	BALL VALVE, 4"-600#, RT, REG. PORT, ALL SS, #F600-SS-R-N
VB450	2	BONNEY	GATE VALVE, 1 1/2" SOCKET WELD, CLASS 800, SWEET
VB420	2	BONNEY	GATE VALVE, 2" SOCKET WELD, CLASS 800, SWEET
VB4203	1		GATE VALVE, 2" 300#, RT, REG. PORT, SWEET
VL075	4	BONNEY	GLOBE VALVE, 3/4" SOCKET WELD x NPT, CLASS 800, SWEET, OS&Y
VL100SW	1	BONNEY	GLOBE VALVE, 1" SOCKET WELD, CLASS 800, NACE
VL111S/S	1		GLOBE VALVE, 1" SOCKET WELD, CLASS 1500, 316 SS
VL150	3	BONNEY	GLOBE VALVE, 1 1/2" SOCKET WELD, CLASS 800, SWEET, OS&Y
VL206	2	MERIDIAN	GLOBE VALVE, 2"-600#, RT, NACE, OS&Y
VL229	1	KF	GLOBE VALVE, 2"-1500#, RT, ALL SS, OS&Y, #G09042R-2
VL306	2	KF	GLOBE VALVE, 3"-600#, RT, NACE
VL309	1	KF	GLOBE VALVE, 3"-800#, RT, SWEET, OS&Y
VCH100S/T	1		CHECK VALVE, 1" SOCKET WELD x NPT CLASS 800, NACE
VCH111S/S	1	DURABLA	CHECK VALVE, 1" SOCKET WELD 1500#, STAINLESS STEEL BODY, #SCY-8305
VCH111S/T	1	DURABLA	CHECK VALVE, 1" SOCKET WELD x NPT 1500#, STAINLESS STEEL BODY, #SCY-8305
VCH116	1	WHEATLY	SWING CHECK VALVE, 4"-600#, RT, FULL PORT, NACE, #910-045144-822P
VCH426	2	KF	SWING CHECK VALVE, 4"-800#, RT, REG. PORT, ALL SS, #SC08041R-4
VW050	8		NEEDLE VALVE, 1/2" F x F, CARBON STEEL BODY
VW050	4	PAN-AM	NEEDLE VALVE, 1/2" F x F, STAINLESS STEEL BODY



- NOTES:
- PER SPECIFICATIONS
 - 100X X-RAY
 - HYDRO-TESTED AT SAME PRESSURE AS VESSEL
 - FLANGES - A105
 - WELD FITTING - A-234-WPB
 - PIPE - A-106B
 - STUDS/NUTS - A193 B7M/2HM
 - GASKETS - 316SS FLEXITALIC
- TUBING:
- 1" NPT INLET LINE
 - (S) LP REG. - FISHER 67FR
 - SCH 80 PIPING, 3000# THREADED FITTINGS
 - TUBING - 316SS
 - TUBE FITTINGS - SWAGELOCK, 316SS

NO	DESCRIPTION	DATE	DRAWN	APP'D	DATE
3	ADDED LINE NUMBERS, RESET PSY-5105	25 NOV'09	DCS		
2	AS BUILT	OCT. 21'09	AGL	KM	OCT. 21'09
1	ISSUED FOR CONSTRUCTION	AUG. 19'09	AGL	KM	AUG. 19'09
0	ISSUED FOR APPROVAL	JULY 22'09	AGL	KM	JULY 22'09

REVISIONS

PIPING CODE: ASME B31.3, 2008 EDITION VESSEL CODE: ASME SECTION VIII, DIV. 1, 2007 EDITION, 2008 ADDENDA

MOSS FABRICATION LTD.
CALGARY ALBERTA
mossfab@mossfabrication.com

TITLE:
24" SEPARATOR SKID FOR ACID GAS BLENDING SKID 29-PK-5100
LSD: 05-35-079-14 W6M
PROCESS AND INSTRUMENTATION DIAGRAM

SIZE: 18 X 24	DATE: JULY 22'09	DRAWN: AGL	CLIENT: ARC RESOURCES LTD.
JOB No.: 4296	SCALE: NTS	PROJ. ENGR: K. MOSTOWICH	DRAWING No.: F4296-1
			REV: 3

PLOTTED BY: draftimg 03/10/2010 7:48:40AM PLOTTED: 03/10/2010 7:48:40AM

29-E-5500
FUEL GAS HEATER
CALHEX - HEN 4 x 144

29-P-5700
METHANOL PUMP
GANT PUMP, MOD. P205RIBRT
0.50PM @ 1500PSIG MAX.

29-PM-5700
METHANOL PUMP MOTOR
3/4 hp
480V/3PH/208V/TEFC
1725 RPM, LEESON MOTOR

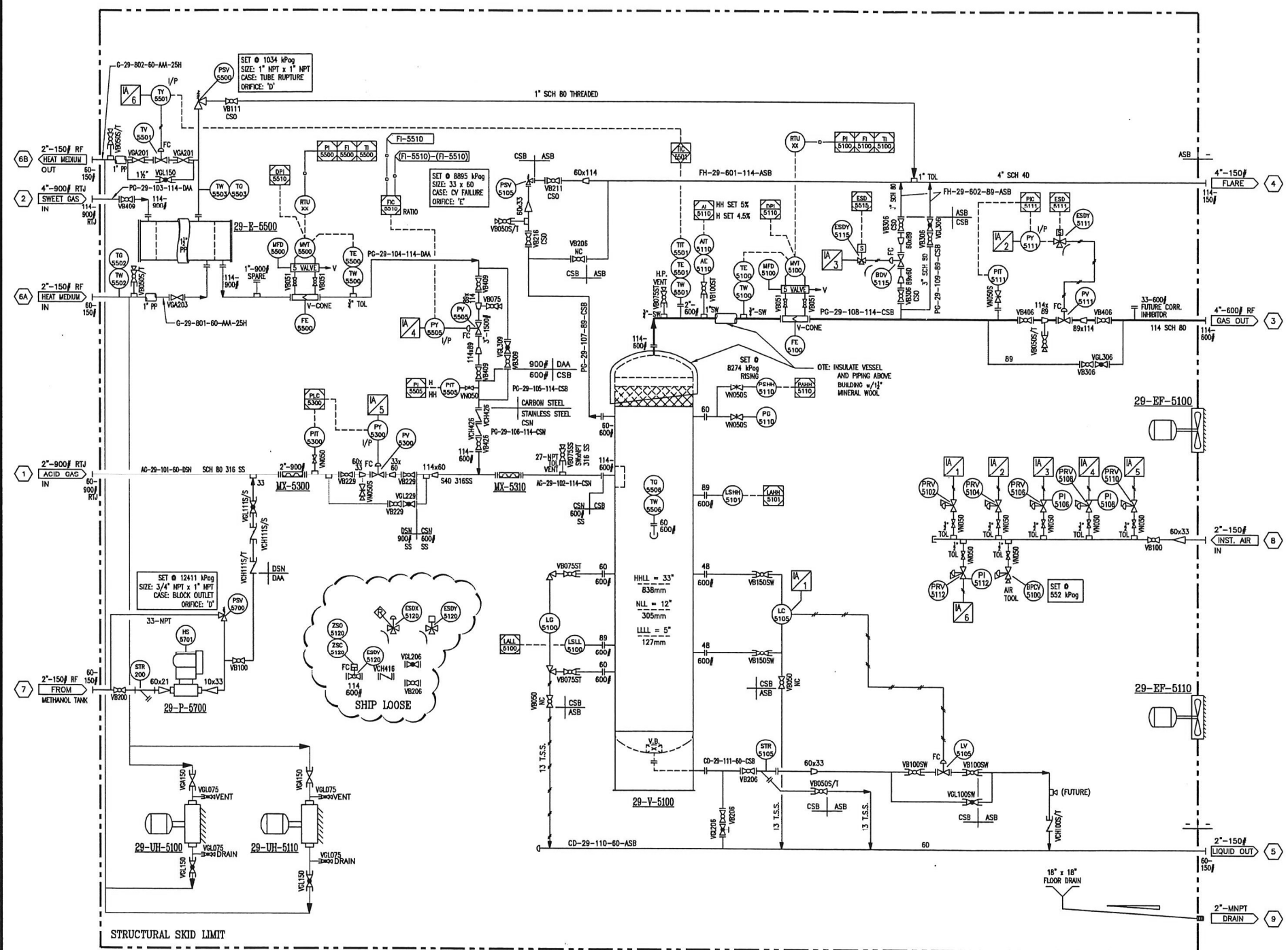
29-UH-5100/5110
GLYCOL UNIT HEATERS
MAKE: RUFFNECK
MOTOR: 1/2 HP 110V/NP
150°C W @ 1000 kPa/g

MX-5300
STATIC MIXER
BRAND: STATA FLOW
SIZE: 610mm O.D. x 2286mm S/S

MX-5310
STATIC MIXER
BRAND: STATA FLOW
SIZE: 610mm O.D. x 2286mm S/S

29-V-5100
BLEND GAS SEPARATOR
SIZE: 610mm O.D. x 2286mm S/S
D.P.: 9307 kPa/g @ 80°C
CORR. ALL = 3.18mm
SOUR SERVICE
STRESS RELIEVED

29-EF-5100/5110
BUILDING FANS
MAKE: DAYTON
SIZE: 12"
12 AIR CHANGES PER H
MOTOR - 1/4 hp/115V/1ph/60Hz
X PROOF



LIST OF MATERIALS			
ITEM	QTY	BRAND	DESCRIPTION
AE/AT-5110	1		H ₂ S ANALYZER - CUSTOMER SUPPLIED
BDV-5115	1	FISHER	2"-600#, 667-D-46, FAIL. CLOSE, 6-30#, NACE, 3/4" TRIM
BPCV-5100	1	FISHER	1805 BACK PRESSURE REGULATOR
ESDN-5120	1	KF	4"-600#, RP BALL VALVE, NACE, c/w BETTS CR725-SR-80-11 ACTUATOR, FAIL. CLOSE & POSITION SWITCH OPEN/CLOSED (SNP LOOSE)
ESDX-5120	1	AMOT	4057 CP MANUAL RESET LATCH VALVE (SNP LOOSE)
ESDY-5111/5120	2	ASCO	EP330-G202-24V SOLENOID
ESDY-5115	1	ASCO	EP330-G202-24V SOLENOID
FE-5100	1	MACROMETER	VEE CONE, 4"-600# - #W04FK17H-B, SRO, SOUR
FE-5500	1	MACROMETER	VEE CONE, 4"-600# - #W04FK17H-B, S120, SWEET
LC-5105	1	FISHER	L2, EXTERNALLY CAGED, SNIP ACTING, HORIZONTAL FLOAT, 6-30# OUTPUT
LI-5100	1	PENBERTHY	TRANSPARENT LEVEL GAGE, 11MS, c/w COCKS, NACE, 9 1/8" VISIBLE
LSHM-5101	1	SOR	1510-65A-C-WSES, 316 SS, NACE
LSLL-5100	1	SOR	1510-65A-C-WSES, 316 SS, NACE
LV-5105	1	FISHER	1"-600# RF, D4, F.C., 6-30#, 3/8" TRIM
MFD-5100	1	AGCO	5 VALVE MANIFOLD, NPT x FLANGE, 316 SS, #MGVDS-4
MFD-5500	1	AGCO	5 VALVE MANIFOLD, C.S., SHEET, NPT x FLANGE, #MGVDS-4
MVT-5100	1	FISHER	3095W420B1A1100CB MULTI VARIABLE SENSOR, w/ 3330 HART SPLITTER, NACE
MVT-5500	1	FISHER	3095W420B1A1100CB MULTI VARIABLE SENSOR, w/ 3330 HART SPLITTER, SWEET
PG-5110	1	WKA	PRESSURE GAUGE, 4" DIAL, 0-1500 PSIG DUAL SCALE, SS CASE & TUBE, #233.45
PI-5106/5109/5112	3	WKA	PRESSURE INDICATOR, 2 1/2" DIAL, 0-60 PSIG DUAL SCALE, DRY, BRASS
PTI-5111	1	ROSEMOUNT	3051TA42B21AB4M5C04 PRESS. IND. TRANSMITTER
PTI-5300	1	ROSEMOUNT	3051TA42B21AB4M5C04 PRESS. IND. TRANSMITTER
PTI-5505	1	ROSEMOUNT	3051TA42B21AB4M5C04 PRESS. IND. TRANSMITTER
PRV-5102-5112	6	FISHER	REGULATOR, 1/4", 67CFR, 0-35#
PSHH-5100	1	DIAL SNAP	6900-GZE-22, SET @ 8274 kPa RISING
PSY-5105	1	CROSBY	1"-600# x 2"-150#, SET @ 8885 kPa (1290 PSIG), NACE, MODEL 1E2-J05-E45-N2J (SIZED FOR 7mm SCF/O)
PSY-5500	1	CROSBY	RELIEF VALVE, 1" x 1" NPT, SET @ 1034 kPa/g, MODEL 9611, SWEET
PSY-5700	1	CROSBY	RELIEF VALVE, 3/4" x 1" NPT, SET @ 12411 kPa/g, SWEET
PV-5111	1	FISHER	3"-600# 667-EI, NACE, F.C., 6-30#
PV-5300	1	FISHER	1"-1500# RTJ 667-MPS-45-1/2", SS BODY, FAIL. CLOSE, 6-30#
PV-5505	1	FISHER	3"-1500# RTJ 667-MPT, NACE, 6-30#, F.C.
PV-5111	1	FISHER	DVC-6010 FIELD VIE POSITIONER, MOUNT TO PV-5111, HART
PV-5300	1	FISHER	DVC-6010 FIELD VIE POSITIONER, MOUNT TO PV-5300, HART
PV-5505	1	FISHER	DVC-6010 FIELD VIE POSITIONER, MOUNT TO PV-5505, HART
STR-200	1		Y-STRAINER, 2"-NPT IRON BODY
STR-5105	1		Y-STRAINER, 2" 600# RF, NACE TRIM
TE-5100	1	ARCOM	100 Ohm, 3 WIRE, c/w 316SS WELL
TE-5500	1	ARCOM	100 Ohm, 3 WIRE, c/w 316SS WELL
TO-5502	1	WKA	3" DIAL, c/w 304SS WELL, OFF TO 250F, 1" NPT
TO-5503	1	WKA	3" DIAL, c/w 304SS WELL, OFF TO 250F, 1" NPT
TO-5506	1	WKA	3" DIAL, c/w 316SS WELL, -20F TO +250F, 12" LONG
TT-5501	1	ROSEMOUNT	TEMP. TRANSMITTER, 644HWET6F6
TV-5501	1	FISHER	2"-300#, CONTROL VALVE, #D3, 3/4" TRIM, F.C., THROTTLING
TY-5501	1	FISHER	TRANSUXOR, MODEL 546

* - CUSTOMER SUPPLIED VALVE LIST			
ITEM	QTY	BRAND	DESCRIPTION
VB050	2	WKM	BALL VALVE, 1/2" NPT 2000#, NACE
VB050S/T	5	WORCESTER	BALL VALVE, 1/2" SOCKET WELD x NPT, 2000#, NACE
VB051	4	WKM	BALL VALVE, 1/2" NPT 2000#, FULL PORT, NACE
VB075	1	WKM	BALL VALVE, 3/4" NPT 2000#, SWEET
VB075S/T	3	WKM	BALL VALVE, 3/4" SOCKET WELD x NPT 2000#, NACE
VB075SS	1		BALL VALVE, 3/4" SOCKET WELD x NPT, 316 STAINLESS STEEL, NACE
VB100	2	WKM	BALL VALVE, 1" NPT 2000#, SWEET
VB100ST	1		BALL VALVE, 1" SOCKET WELD x NPT, 2000#, NACE
VB100SS	2	WORCESTER	BALL VALVE, 1" SOCKET WELD, 2000#, NACE
VB111	1	WKM	BALL VALVE, 1" NPT 2000#, FULL PORT, NACE
VB150SS	2	WORCESTER	BALL VALVE, 1 1/2" NPT 2000#, SW
VB200	1	KF	BALL VALVE, 2" NPT 1500#, SWEET
VB206	4	KF	BALL VALVE, 2"-600#, RF, REG. PORT, NACE TRIM
VB211	1	KF	BALL VALVE, 2"-150#, RF, FULL PORT, NACE
VB216	1	PBY	BALL VALVE, 2"-600#, RF, FULL PORT, NACE TRIM
VB229	3	KF	BALL VALVE, 2"-1500#, RTJ, REG. PORT, ALL SS, #E2900-4922091
VB306	4	KF	BALL VALVE, 3"-600#, RF, REG. PORT, NACE
VB309	1	KF	BALL VALVE, 3"-900#, RTJ, REG. PORT, SWEET
VB406	2	KF	BALL VALVE, 4"-600#, RF, REG. PORT, NACE
VB409	3	KF	BALL VALVE, 4"-800#, RTJ, REG. PORT, NACE
VB426	1	MAS	BALL VALVE, 4"-600#, RF, REG. PORT, ALL SS, #F600-SS-R-N
VG4150	2	BONNEY	GATE VALVE, 1 1/2" SOCKET WELD, CLASS 800, SWEET
VG4201	2	BONNEY	GATE VALVE, 2" SOCKET WELD, CLASS 800, SWEET
VG4203	1		GATE VALVE, 2" 300#, RF REG. PORT, SWEET
VGLO75	4	BONNEY	GLOBE VALVE, 3/4" SOCKET WELD x NPT, CLASS 800, SWEET, OS&Y
VGL100SS	1	BONNEY	GLOBE VALVE, 1" SOCKET WELD, CLASS 800, NACE
VGL111S/S	1		GLOBE VALVE, 1" SOCKET WELD, CLASS 1500, 316 SS
VGL150	3	BONNEY	GLOBE VALVE, 1 1/2" SOCKET WELD, CLASS 800, SWEET, OS&Y
VGL206	2	MERIDIAN	GLOBE VALVE, 2"-600#, RF, NACE, OS&Y
VGL229	1	KF	GLOBE VALVE, 2"-1500#, RTJ, ALL SS, OS&Y, #GLD9042R-2
VGL306	2	KF	GLOBE VALVE, 3"-600#, RF, NACE
VGL309	1	KF	GLOBE VALVE, 3"-900#, RTJ, SWEET, OS&Y
VCH100S/T	1		CHECK VALVE, 1" SOCKET WELD x NPT CLASS 800, NACE
VCH111S/T	1	DURABLA	CHECK VALVE, 1" SOCKET WELD 1500#, STAINLESS STEEL BODY, #SCY-8306
VCH115/T	1	DURABLA	CHECK VALVE, 1" SOCKET WELD x NPT 1500#, STAINLESS STEEL BODY, #SCY-8306
VCH116	1	WHEATLY	SWING CHECK VALVE, 4"-600#, RF, FULL PORT, NACE, #910-045144-822P
VCH26	2	KF	SWING CHECK VALVE, 4"-600#, RF, REG. PORT, ALL SS, #SC06041R-4
VN050	9		NEEDLE VALVE, 1/2" F x F, CARBON STEEL BODY
VN050	4	PAN-AM	NEEDLE VALVE, 1/2" F x F, STAINLESS STEEL BODY

NOTES:
 PIPING:
 - PER SPECIFICATIONS
 - 100% X-RAY
 - HYDRO-TESTED AT SAME PRESSURE AS VESSEL
 - FLANGES - A105
 - WELD FITTING - A-234-WPB
 - PIPE - A-106B
 - STUDS/NUTS - A193 B7M/2HM
 - GASKETS - 316SS FLEXITALIC

TUBING:
 - 1" NPT INLET LINE
 - (S) LP REG. - FISHER 67FR
 - SCH 80 PIPING, 3000# THREADED FITTINGS
 - TUBING - 316SS
 - TUBE FITTINGS - SWAGELOCK, 316SS

NO	DESCRIPTION	DATE	DRAWN	APP'D	DATE
3	ADDED LINE NUMBERS, RESET PSY-5105	25 NOV '09	DCS		
2	AS BUILT	OCT. 21 '09	AGL	NM	OCT. 21 '09
1	ISSUED FOR CONSTRUCTION	AUG. 19 '09	AGL	NM	AUG. 19 '09
0	ISSUED FOR APPROVAL	JULY 22 '09	AGL	NM	JULY 22 '09

MOSS FABRICATION LTD.
 CALGARY ALBERTA
 mossfab@mossfabrication.com

TITLE:
 24" SEPARATOR SKID FOR ACID GAS BLENDING SKID 29-PK-5100
 LSD: 05-35-079-14 W6M
 PROCESS AND INSTRUMENTATION DIAGRAM

SIZE: 18 X 24
 DATE: JULY 22 '09
 SCALE: NTS
 DRAWN: AGL
 PROJECT: K. MOSTOWICH
 CLIENT: ARC RESOURCES LTD.
 c/o EQUINOX ENGINEERING LTD.
 DRAWING NO. F4296-1
 REV: 3

PLOTTED BY: Drafting
 PLOTTED: 12/11/2009 8:20:58AM
 DRAWING FILE: Y:\V201-4300\4296\F4296-1-BC.dwg