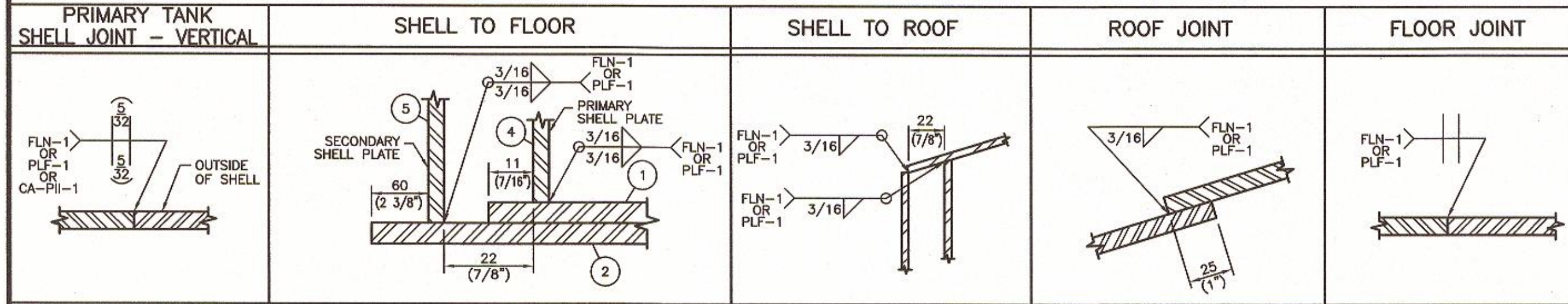


STANDARD WELD DETAILS (N.T.S.)



CUSTOMER SPECIFICATIONS

DESIGN CODE: API-650 (MODIFIED)

SERIAL NO:

DESIGN PRESSURE: 16 oz. PRESS., 0.5 oz. VAC.

DESIGN TEMPERATURE: -13°C (8.6°F) TO 93°C (200°F)

OPERATING TEMPERATURE: 30°C (86°F)

SERVICE: SWEET

OPERATING LEVEL: NONE

CORROSION ALLOWANCE: N/A

OTHER:

FINISHING

EXTERNAL: ONE COAT PRIMER, FINISH COAT ENAMEL (COLOR WHITE).

INTERNAL: NONE

TESTING:

- VACUUM TEST PRIMARY AND SECONDARY FLOOR SEAMS

- PRESSURIZE INTERSTITIAL SPACE TO 10 oz. AND SOAP TEST SHELL SEAMS AND SHELL TO FLOOR JOINT INSIDE AND OUT.

- PRESSURIZE PRIMARY TANK TO 1.5 x DESIGN AND SOAP TEST ROOF SEAMS.

INSULATION: NONE

NOZZLE SCHEDULE

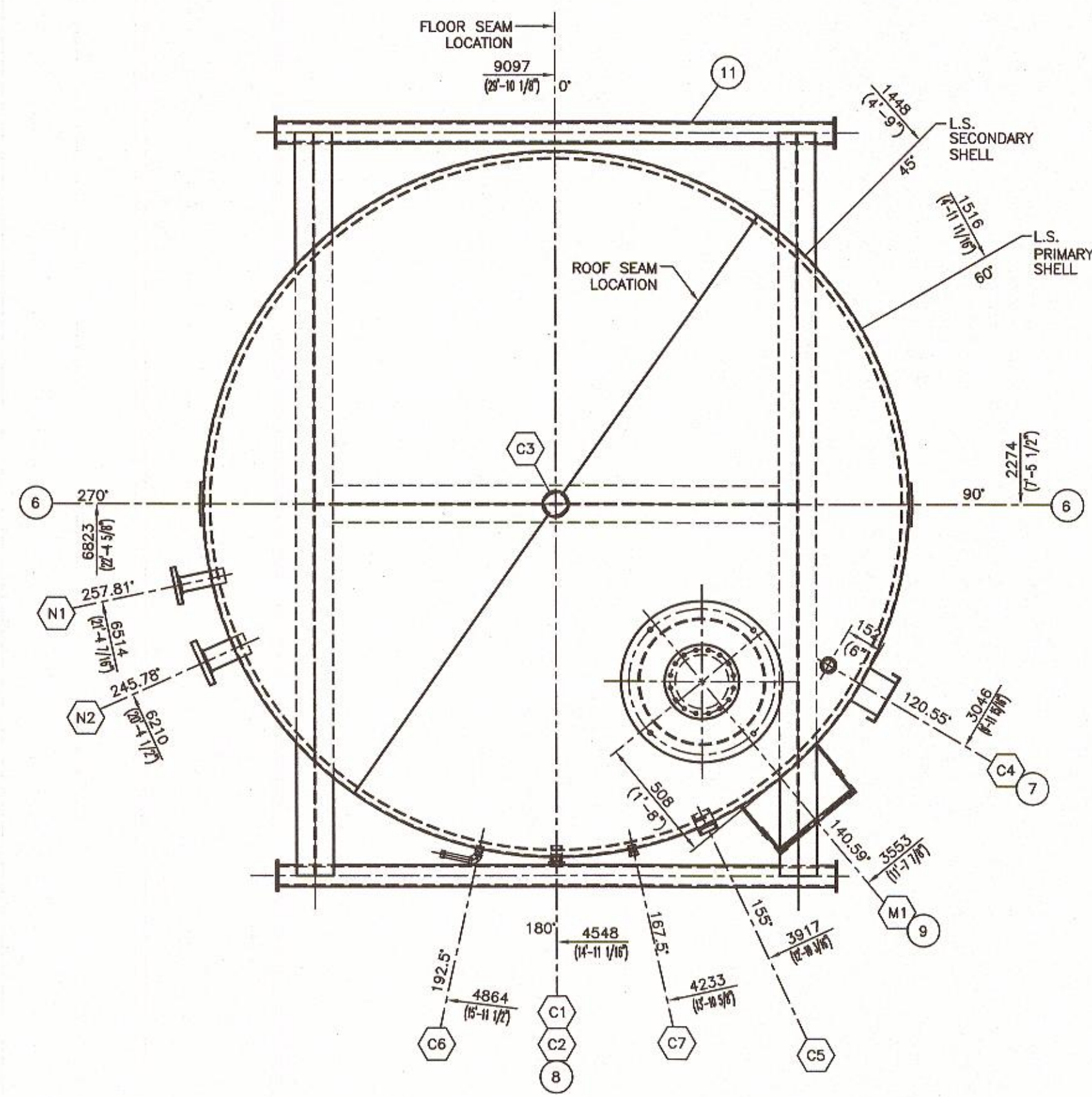
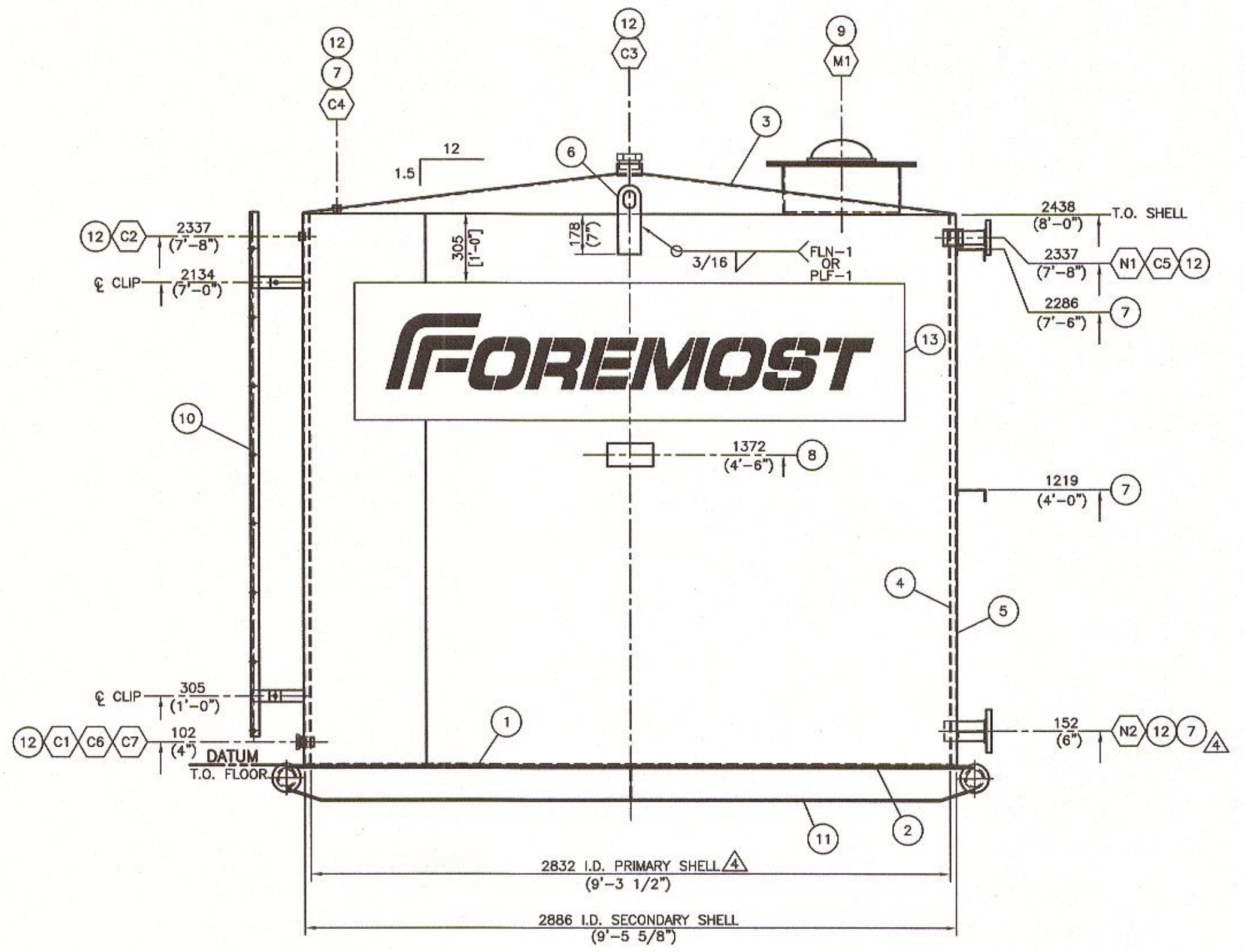
MK	NO	SIZE	SCH	RATE	TYPE	PROJECTION		REPAD		DESCRIPTION		
						INT.	EXT.	YES	NO			
N1	1	60	2"	STD	CLASS 150	RFSO	25	152		✓	INLET	
N2	1	89	3"	STD	CLASS 150	RFSO	25	152		✓	OUTLET	
C1	1	25	1"	-	3000#	FULL CPLG	14	9/16"		✓	PRIMARY DRAIN C/W PLUG	
C2	1	19	3/4"	-	3000#	HALF CPLG	8	1/4"		✓	INTERSTITIAL VENT	
C3	1	76	3"	-	3000#	HALF CPLG	6	1/4"		✓	ROOF VENT C/W PLUG	
C4	1	19	3/4"	-	3000#	HALF CPLG	6	1/4"		✓	LEVEL GAUGE C/W BOARD AND FLOAT	
C5	1	51	2"	-	3000#	FULL CPLG	25	1"		✓	HUSD	
C6	1	13	1/2"	-	3000#	HALF CPLG	6	1/4"		✓	SIGHT GLASS	
C7	1	13	1/2"	-	3000#	HALF CPLG	6	1/4"		✓	INTERSTITIAL DRAIN C/W PLUG	
M1	1	508	20"	-	-	FAB'D	19	3/4"	152	6"	✓	ROOF MANWAY C/W 16oz. JAYCO THIEF HATCH IN COVER

MATERIAL LIST

MATERIAL REQUIREMENTS		MATERIAL	WT	MAT REQ			
MK	QTY						
1	2	6030	PRIMARY FLOOR: HALF PLATE 1/4" THK. x 9'-4 3/4" DIA.	-	A-36/44W/48W	707	-
2	2	5263	SECONDARY FLOOR: HALF PLATE 1/4" THK. x 9'-10 3/4" DIA.	-	A-36/44W/48W	785	-
3	2	2513	ROOF: HALF PLATE 3/16" THK. x 9'-6 15/16" DIA.	-	A-36/44W/48W	735	-
4	1	4358	PRIMARY SHELL: PLATE 3/16" THK. x 8'-0" x 29'-2 7/8" LG.	-	G40.21-44W	1789	-
5	1	4358	SECONDARY SHELL: PLATE 3/16" THK. x 8'-0" x 29'-9 9/16" LG.	-	G40.21-44W	1832	-
6	2	5707	LIFTING LUG 1/2" x 1'-0"	-	G40.21-44W	14	-
7	1	-	LEVEL INDICATOR ASSEMBLY FOR 100 BBL TANK	EDS-2741	-	36	-
8	1	2896	NAMEPLATE BRACKET	-	G40.21-44W	2	-
9	1	-	ROOF MANWAY 20" C/W JAYCO THIEF HATCH 8"	FS-1102-1A	-	114	-
10	1	2923	LADDER 100 BBL 8'-0" HIGH (REMOVABLE)	-	-	47	-
11	1	2984	BASE SKID	-	-	520	-
12	1	-	NOZZLE DETAIL	FS-1102-1A	-	34	-
13	1	-	FOREMOST LOGO STENCIL 24" x 96" LG.	EDS-5434	-	-	-
14							
15							
16							
17							
18							
19							
20							
SUBTOTAL						6615	
x 1.06							
TOTAL (lbs.)						7012	

NOTES:

- ALL DIMENSIONS ARE IN S.I. & IMPERIAL UNITS. DIMENSIONS IN BRACKETS ARE IMPERIAL HARD CONVERSIONS FOR SHOP REFERENCE ONLY.
- ALL FLANGE RATINGS TO BE ASME B16.5 - 2013.
- FLANGE AND BOLT HOLES TO STRADDLE PRINCIPAL CENTERLINES OF TANK.
- ALL NOZZLE PROJECTIONS GIVEN ARE ALONG THE NOZZLE CENTERLINE.
- DELETED
- SEQUENCE OF FABRICATION:
  - WELD PRIMARY SHELL TO FLOOR
  - WELD ROOF TO PRIMARY SHELL
  - WELD SECONDARY SHELL TO SECONDARY FLOOR
  - INSTALL PRIMARY TANK INTO SECONDARY TANK
  - WELD ROOF TO SECONDARY SHELL



20/10/16	ISSUED FOR CONSTRUCTION	RWG	BS
NO. DATE (d/m/y)	REVISIONS	BY	APPD
THIS DRAWING IS THE PROPERTY OF FOREMOST UNIVERSAL LP AND IS TO BE USED ONLY IN CONJUNCTION WITH PERFORMANCE OF WORK BY FOREMOST UNIVERSAL LP. REPRODUCTION OR USE OF IN WHOLE OR IN PART FOR ANY OTHER PURPOSE IS EXPRESSLY FORBIDDEN.			
<b>FOREMOST</b>			
FOREMOST STANDARD			
DWG TITLE			
FS-1102 100 BBL DOUBLE WALL TANK GENERAL ARRANGEMENT			
NO. REQ'D	VOLUME	SIZE	WO NO.
15.9 CU. METERS (100 BBL) NOM.	2832mm I.D. x 2438mm HIGH	(9'-3 1/2" I.D. x 8'-0" HIGH)	LEG NO.
SCALE	DWN BY	PART NO.	SHEET NO. REV. NO.
1:20	R. GRAY	5686	1 of 1
DATE (d/m/y)	CHKD	APPD	DWG NO.
23/06/16	20101016	20101016	FS-1102