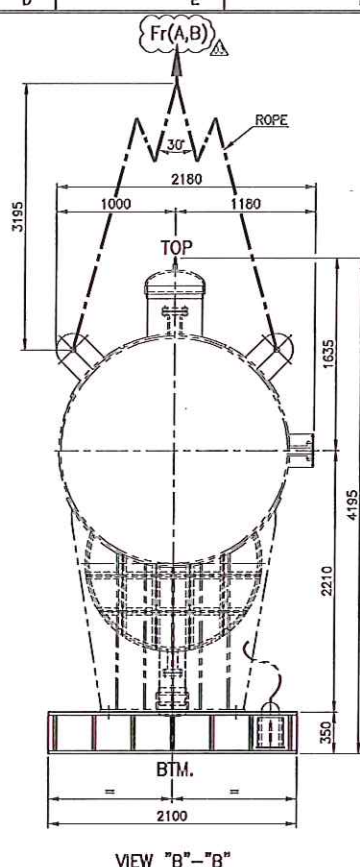
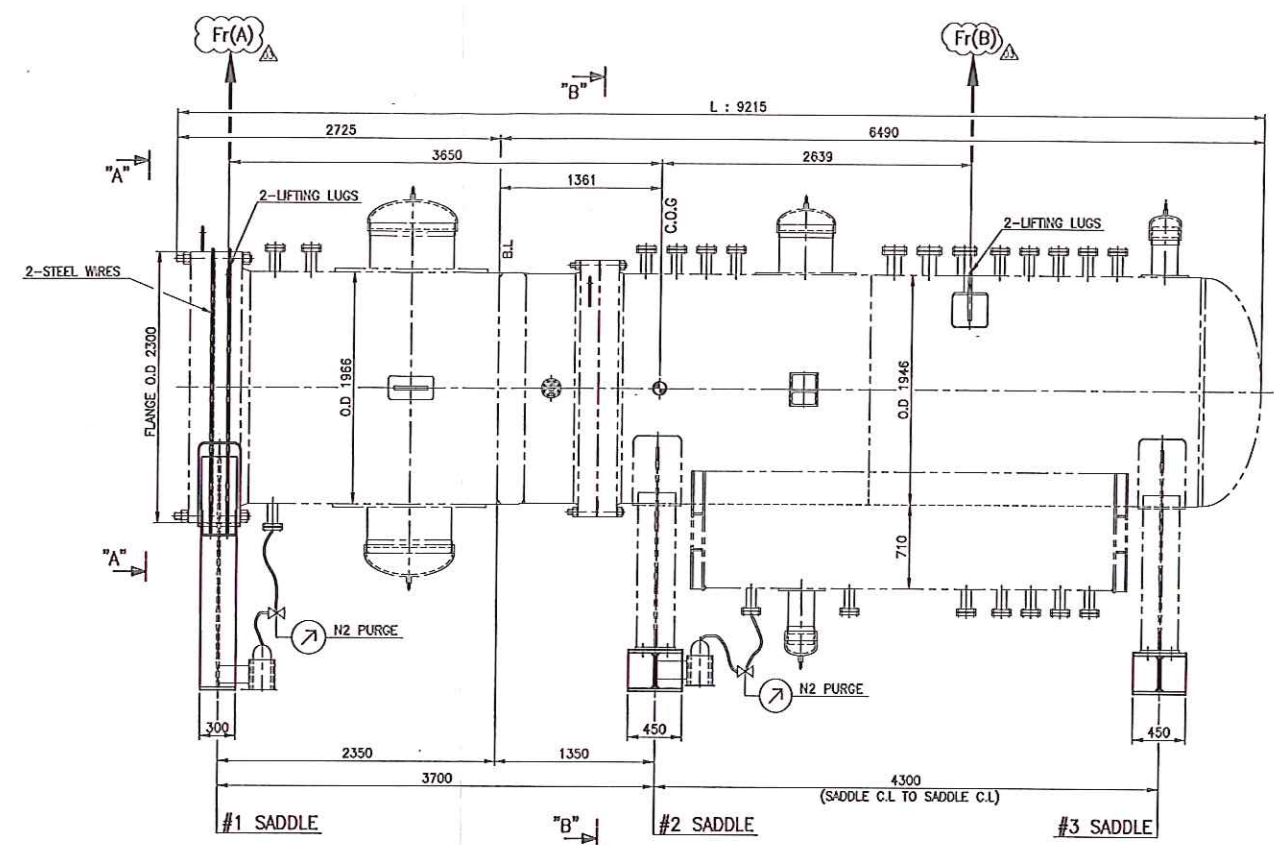


VIEW "A"- "A"



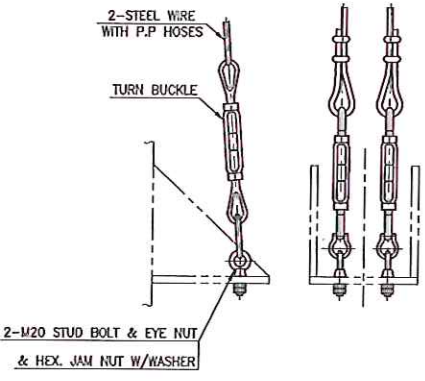
VIEW "B"- "B"



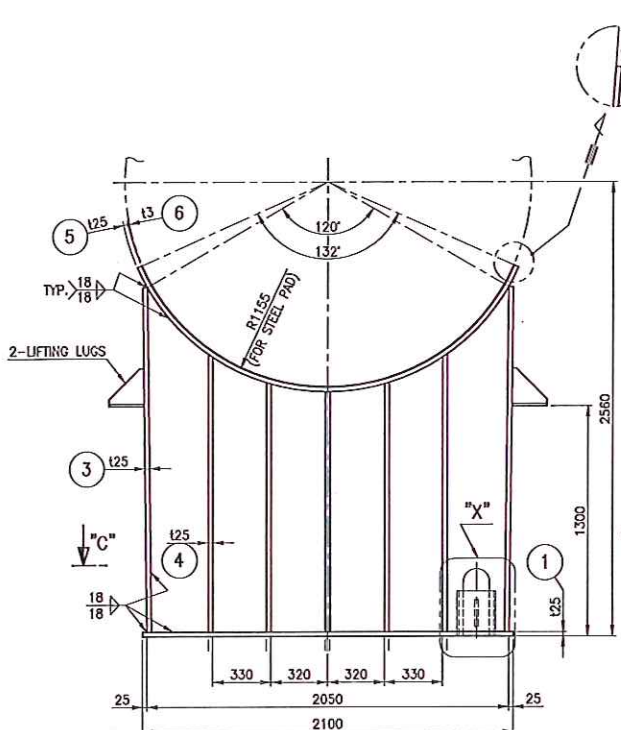
SIDE ELEVATION

| LIFTING LUG | SUNG LOAD (DEG.FROM VERTICAL) |           |         |           |
|-------------|-------------------------------|-----------|---------|-----------|
|             | 0°                            |           | 15°     |           |
|             | NET(kg)                       | GROSS(kg) | NET(kg) | GROSS(kg) |
| A1          | 13278                         | 14015     | 13746   | 14509     |
| A2          | 13278                         | 14015     | 13746   | 14509     |
| B1          | 13278                         | 14015     | 13746   | 14509     |
| B2          | 13278                         | 14015     | 13746   | 14509     |

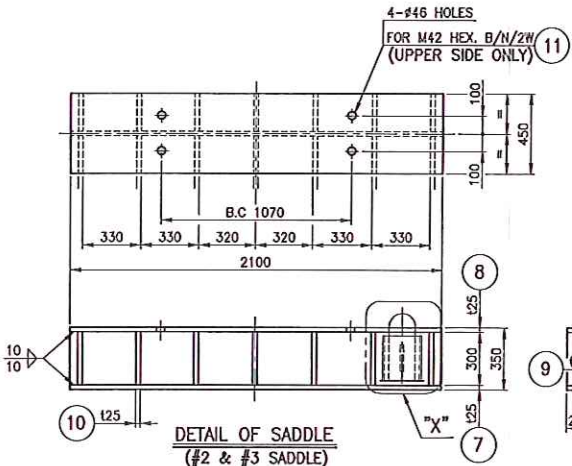
\*47mm MINIMUM SHACKLE PIN DIAMETER  
\*DO NOT SIDE LOAD LIFTING LUGS



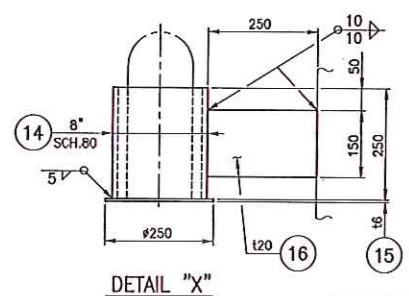
DETAIL OF STEEL WIRE



DETAIL OF SADDLE (#1 SADDLE)



DETAIL OF SADDLE (#2 & #3 SADDLE)



DETAIL "X"

|               |                      |
|---------------|----------------------|
| PACKAGE NO.   | E-14730 / E-12770    |
| PACKAGE STYLE | STEEL SADDLE/SKID    |
| DIMENSION     | 9.215x2.742x4.26H M  |
| MEASUREMENT   | 107.8 M <sup>3</sup> |
| NET WEIGHT    | 53110 kg             |
| GROSS WEIGHT  | 56060 kg             |
| SADDLE WEIGHT | 2950 kg              |

ASME - U

SOUR SERVICE (SHELL SIDE)

SOUR SERVICE (TUBE SIDE)

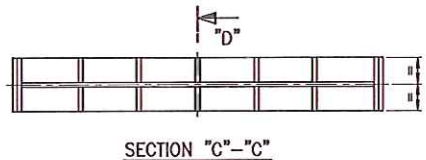
NOTES

- THE VESSEL TAG NUMBER SHALL BE STENCILED ON EACH VESSEL IN 150mm HIGH LETTERS.
- UNPAINTED SURFACES WHICH ARE SUSCEPTIBLE TO CORROSION, INCLUDING FLANGE FACINGS, SHALL BE COATED WITH A RUST PREVENTATIVE THE RUST PREVENTATIVE SHALL BE AN EASILY REMOVABLE TYPE.
- EXCHANGER SHALL BE PURGED WITH AN INERT NITRIGEN AT A PRESSURE OF NOT LESS THAN 35kPa (5psig). PRESSURE GAGE AND CONNECTION WITH A VALVE SHALL BE INSTALLED.
- EXCHANGER SHELLS SHALL BE TAGGED WITH RED COLOURED WATERPROOF LABELS.

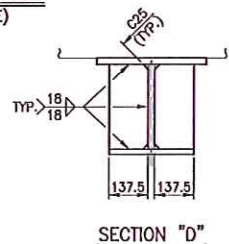
| ITEM | NAME OF PART      | MATERIAL                | Q'TY | SPI | UNIT | REMARK    |
|------|-------------------|-------------------------|------|-----|------|-----------|
| 16   | RIB PLATE         | SA283-C                 | 2    |     | EA   | t20       |
| 15   | BTM. PLATE        | SA283-C                 | 2    |     | EA   | t6        |
| 14   | BOTTLE SUP'T PIPE | SA53-B                  | 2    |     | EA   | 8" SCH.80 |
| 13   | RIB PLATE         | SA283-C                 | 4    |     | EA   | t12       |
| 12   | LIFTING LUG       | SA283-C                 | 2    |     | EA   | t12       |
| 11   | HEX. B/N/2W       | SA307-B/SA307-A/SA283-C | 8    |     | SETS | M42x120L  |
| 10   | RIB PLATE         | SA283-C                 | 28   |     | EA   | t25       |
| 9    | WEB PLATE         | SA283-C                 | 2    |     | EA   | t25       |
| 8    | UPPER PLATE       | SA283-C                 | 2    |     | EA   | t25       |
| 7    | LOWER PLATE       | SA283-C                 | 2    |     | EA   | t25       |
| 6    | RUBBER            | RUBBER                  | 1    |     | EA   | t3        |
| 5    | REINF. PAD        | SA283-C                 | 1    |     | EA   | t25       |
| 4    | RIB PLATE         | SA283-C                 | 10   |     | EA   | t25       |
| 3    | RIB PLATE         | SA283-C                 | 2    |     | EA   | t25       |
| 2    | WEB PLATE         | SA283-C                 | 1    |     | EA   | t25       |
| 1    | BASE PLATE        | SA283-C                 | 1    |     | EA   | t25       |

| REV. | DATE       | DESCRIPTION         | DRAWN  | CHKD    | REVD    | APPD     |
|------|------------|---------------------|--------|---------|---------|----------|
| Δ    | 2015.05.22 | BY OWNER COMMENTS   | TY-ENG | S.M.LEE | J.S.LEE | Y.G.PARK |
| Δ    | 2015.03.27 | BY OWNER COMMENTS   | TY-ENG | S.M.LEE | J.S.LEE | Y.G.PARK |
| Δ    | 2015.02.13 | ISSUED FOR APPROVAL | TY-ENG | S.M.LEE | J.S.LEE | Y.G.PARK |

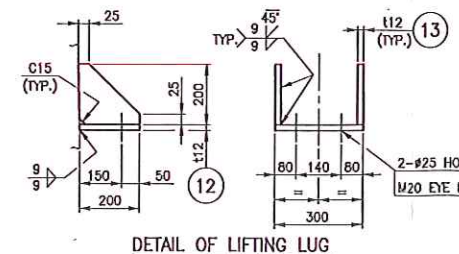
|         |            |                      |                                                         |
|---------|------------|----------------------|---------------------------------------------------------|
| CLIENT  |            | SHELL CANADA ENERGY  |                                                         |
| PROJECT |            | CARMON CREEK PROJECT |                                                         |
| P/O NO. | 4512208035 | TITLE                | E-14730 / E-12770                                       |
| W/O NO. | P-149G-008 |                      | CONDENSING FEEDWATER HEATER (DETAIL OF SHIPPING SADDLE) |
| SCALE   | NONE       | CLIENT DOC. NO.      | CCK-4512208035-0000-B04-00002-001                       |
|         |            | REV. NO.             | 03                                                      |



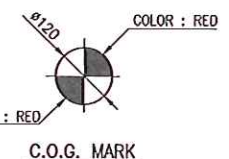
SECTION "C"- "C"



SECTION "D"



DETAIL OF LIFTING LUG



C.O.G. MARK