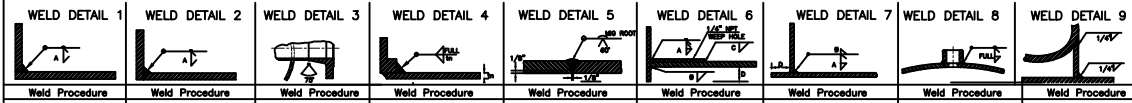
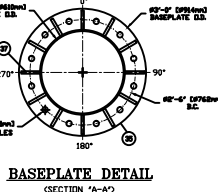
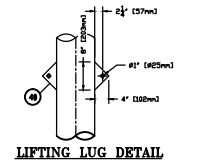
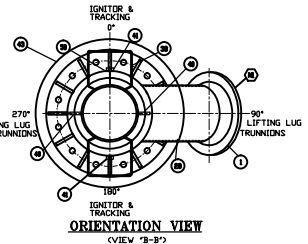
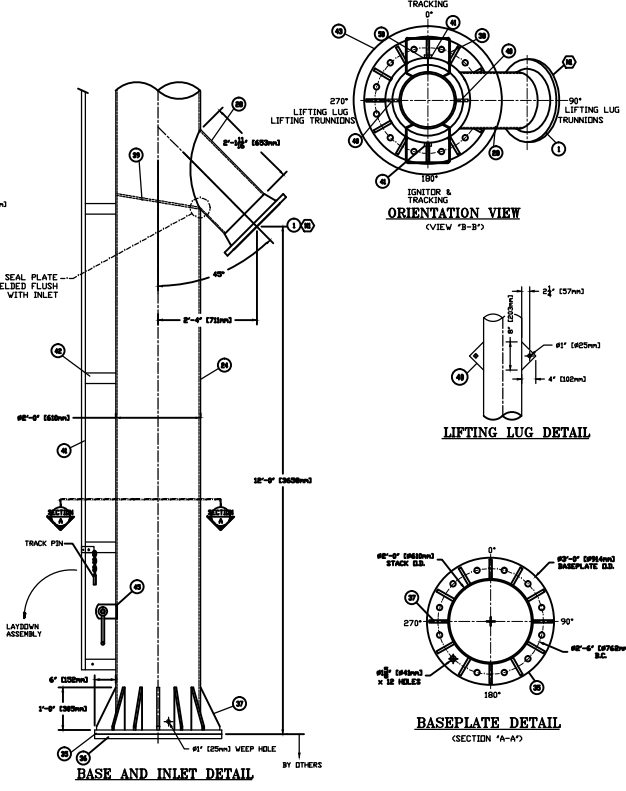
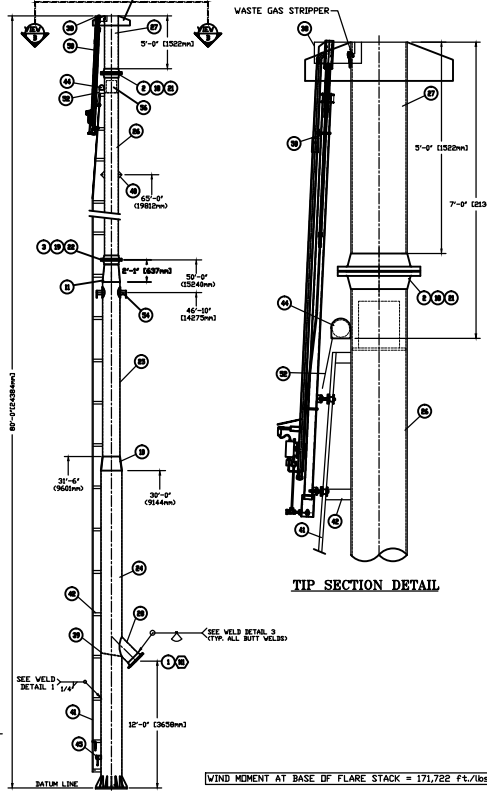
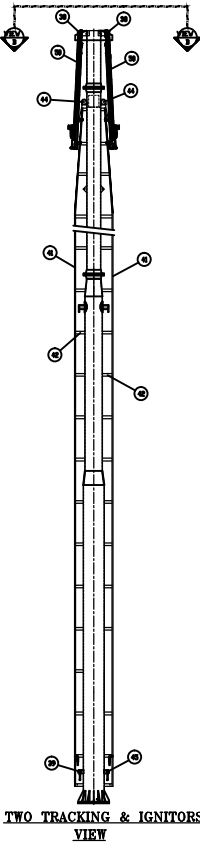


NOZZLE SCHEDULE AND WELD DETAILS



| Mark No. | No. Rec'd | Size         | ANSI Rating And Facing | Service               | O.D. of Nozzle Neck | Projection Inside/Outside | Welding Detail Number | Filllet Weld Size | Bill of Mat'l Item No. | Remarks   | Elevation       | Angle |
|----------|-----------|--------------|------------------------|-----------------------|---------------------|---------------------------|-----------------------|-------------------|------------------------|-----------|-----------------|-------|
| NT       | 1         | #16" (406mm) | SA105 300# RF          | FLARE GAS INLET CONN. | 16" (406)           | 0" 28"                    | 3,7                   | 3/8"              | 1,28                   | WELD NECK | 12'-0" (3658mm) | 90°   |



Bill of Materials

| No. | Qty | Size                                  | Bore                                       | Rating | PCB     | Type         | Specification/Material                  | Remarks                   | Notes |
|-----|-----|---------------------------------------|--|--------|---------|--------------|---|---------------------------|-------|
| 1   | 1   | #16" (406)                            | STD.                                       | 300#   | R.F.    | WAL.         | ANSI SA 105                             | RT- FLARE GAS INLET CONN. |       |
| 2   | 2   | #16" (406)                            | STD.                                       | 180#   | R.F.    | WAL.         | ANSI SA 105                             | TP BREAK FLANGES          |       |
| 3   | 2   | #16" (406)                            | STD.                                       | 180#   | R.F.    | WAL.         | ANSI SA 105                             | FLUE BREAK FLANGES        |       |
| 4   |     |                                       |  |        |         |              |   |                           |       |
| 5   |     |                                       |  |        |         |              |   |                           |       |
| 6   |     |                                       |  |        |         |              |   |                           |       |
| 7   |     |                                       |  |        |         |              |   |                           |       |
| 8   |     |                                       |  |        |         |              |   |                           |       |
| 9   |     |                                       |  |        |         |              |   |                           |       |
| 10  | 1   | 24" (609)                             | 3/8"                                       |        |         | REDUCER FIB  | SA16 GR50                               | CONCENTRIC REDUCER        |       |
| 11  | 1   | 20" (508)                             | STD.                                       |        |         | REDUCER      | SA 324 WP-8                             | CONCENTRIC REDUCER        |       |
| 12  |     |                                       |  |        |         |              |   |                           |       |
| 13  |     |                                       |  |        |         |              |   |                           |       |
| 14  |     |                                       |  |        |         |              |   |                           |       |
| 15  |     |                                       |  |        |         |              |   |                           |       |
| 16  |     |                                       |  |        |         |              |   |                           |       |
| 17  |     |                                       |  |        |         |              |   |                           |       |
| 18  |     |                                       |  |        |         |              |   |                           |       |
| 19  | 1   | #16" (406)                            | 1/2"                                       | 180#   |         | NON ABSTRACT | 304 S.S. FLEXIDUC                       | TP BREAK FLANGES          |       |
| 20  | 1   | #16" (406)                            | 1/2"                                       | 180#   |         | NON ABSTRACT | 304 S.S. FLEXIDUC                       | FLUE BREAK FLANGES        |       |
| 21  | 16  | 16                                    | 1"   | 170#   |         | TP           | SA163 87W SA 194 290                    | TP BREAK FLANGES          | 2.10  |
| 22  | 16  | 16                                    | 1"   | 170#   |         | TP           | SA163 87W SA 194 290                    | FLUE BREAK FLANGES        | 3.10  |
| 23  |     |                                       |  |        |         |              |   |                           |       |
| 24  | 1   | 60" (1524mm)                          | SHLS                                       | STD.   |         |              | SA 333 x 37-0" (914) LB.                | STACK FLUE                |       |
| 25  | 1   | 60" (1524mm)                          | SHLS                                       | STD.   |         |              | SA 333 x 37-0" (914) LB.                | STACK FLUE                |       |
| 26  | 1   | 60" (1524mm)                          | SHLS                                       | STD.   |         |              | SA 333 x 37-0" (914) LB.                | STACK FLUE                |       |
| 27  | 1   | 60" (1524mm)                          | TP 3088                                    | STD.   | 341 MPa |              | SA 312 x 8'-0" (243.8) LB.              | STACK TP                  |       |
| 28  | 1   | 60" (1524mm)                          | SHLS                                       | STD.   |         |              | CSA 300 x 2'-11 1/8" LB.                | STACK BALEY EXT.          |       |
| 29  |     |                                       |  |        |         |              |   |                           |       |
| 30  |     |                                       |  |        |         |              |   |                           |       |
| 31  |     |                                       |  |        |         |              |   |                           |       |
| 32  |     |                                       |  |        |         |              |   |                           |       |
| 33  |     |                                       |  |        |         |              |   |                           |       |
| 34  |     |                                       |  |        |         |              |   |                           |       |
| 35  | 1   | 60" (1524mm)                          |  |        |         |              | 1 1/2" THK. SA 36 CS PLATE              | BASEPLATE                 |       |
| 36  | 1   | 60" (1524mm)                          |  |        |         |              | 1 1/2" THK. SA 36 CS PLATE              | BASEPLATE                 |       |
| 37  | 1   | 60" (1524mm)                          |  |        |         |              | 3/4" THK. SA 36 CS PLATE                | BASEPLATE GUSSETS         |       |
| 38  | 4   | 6" x 6" x 1/2" (152.4 x 152.4 x 12.7) |  |        |         |              | 1/2" THK. 304 S.S. PLATE                | PILOT WELD SHIELD         |       |
| 39  | 1   | 60" (1524mm)                          |  |        |         |              | 1/2" THK. SA 316 GR50 PLATE             | SEAL PLATE                |       |
| 40  | 2   | 8" x 4" (203 x 102)                   |  |        |         |              | 3/4" THK. SA 36 CS PLATE                | LIFTING LUGS              |       |
| 41  | LOT | 2" x 1" (51 x 25)                     |  |        |         |              | 1/8" THK. HSS TUBING (TWO SETS)         | PILOT TRACKING            |       |
| 42  | LOT | 3" PLAT                               |  |        |         |              | 1/4" THK. SA 36 CS PLATE (TWO SETS)     | TRACKING SUPPORTS         |       |
| 43  | 1   | 60" (1524mm)                          |  |        |         |              | 1/4" THK. 308 S.S. PLATE                | V-COOL                    |       |
| 44  | 2   |                                       |  |        |         |              | PILOT RETRACTING ENCLOSED S.S. PALLET   | PALLEY                    |       |
| 45  | 2   |                                       |  |        |         |              | PILOT RETRACTING WHEEL                  | WHEEL                     |       |
| 46  |     |                                       |  |        |         |              |   |                           |       |
| 47  |     |                                       |  |        |         |              |   |                           |       |
| 48  |     |                                       |  |        |         |              |   |                           |       |
| 49  |     |                                       |  |        |         |              |   |                           |       |
| 50  | 2   |                                       |  |        |         |              | PRISM PREMIER PILOT                     | IGNITOR                   |       |
| 51  |     |                                       |  |        |         |              |   |                           |       |
| 52  | LOT |                                       |  |        |         |              | 1/4" S.S. PILOT RETRACTING PALLET CABLE | PALLEY CABLE              |       |
| 53  |     |                                       |  |        |         |              |   |                           |       |
| 54  | 2   | 60" (1524mm)                          | SA 36 CS PLATE & SA 1088 PIPE (SEE DETAIL) |        |         |              |   | LIFTING TRUNNION ASSEMBLY |       |
| 55  |     |                                       |  |        |         |              |   |                           |       |
| 56  | 1   |                                       |  |        |         |              | PURGE REDUCER                           | PURGE REDUCER             |       |
| 57  |     |                                       |  |        |         |              |   |                           |       |
| 58  |     |                                       |  |        |         |              |   |                           |       |
| 59  |     |                                       |  |        |         |              |   |                           |       |
| 60  |     |                                       |  |        |         |              |   |                           |       |

|      |                     |     |    |    |    |
|------|---------------------|-----|----|----|----|
| 0    | ISSUED FOR APPROVAL | RC  | 13 | 02 | 19 |
| Rev. | Description         | By  | Y  | M  | D  |
|      |                     | App | Y  | M  | D  |

| FABRICATION CON'T |  |
|-------------------|--|
| DESIGN TO:        |  |
| IMPACT TEST:      |  |
| DESIGN TEMP.:     |  |
| GENERAL NOTES:    |  |

| FABRICATION          |          |
|----------------------|----------|
| DESIGN PRESS:        |          |
| STRESS RELIEVE:      | NO       |
| HYDRO TEST:          | NO       |
| INSULATION/TRACING:  | NO       |
| ALUM. CLADDING:      | NO       |
| WAG PARTICLES:       | NO       |
| STRONGHEAT:          | NO       |
| CORROSION ALLOWANCE: | 0.0625"  |
| CRN No.:             | N/A      |
| WPI No.:             | N/A      |
| S.C. PROGRAM:        | AQP-1286 |
| P.W.S.T.:            | NO       |

| Ignition System     |                                    |
|---------------------|------------------------------------|
| PRISM PREMIER PILOT |                                    |
| Wt. Est.            | Salesperson                        |
|                     | TFS                                |
| Paint:              | SANDBLAST SSPC-SP6 RUSTOLEUM BLACK |
| Special Spec.:      |                                    |

|            |                |   |
|------------|----------------|---|
| DWG BY:    | DWG #:         | Title:  |
| RC         | FDR-6771       | #16" x 80'-0" TALL SELF SUPPORTED FLARE STACK c/w 16" INLET CONN. |
| Date:      | 2013 02 19     | Customer:   |
|            | Y M D          | TOTAL ENERGEX   |
| DESIGN BY: |                | P.O. #:   |
|            | BR             |   |
| JOB #:     | QUOTE #:       |   |
|            | WH2-1220-50700 |   |
| Scale:     |                | SD  |
|            | NTS            |   |

INTEGRATED SOLUTIONS INC.  
 PHONE# (780) 582-3900  
 FAX# (780) 582-3922  
 TOLL FREE# 1-877-264-1050  
 WEB SITE: www.prismcorp.net