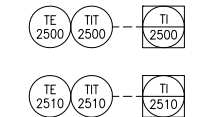
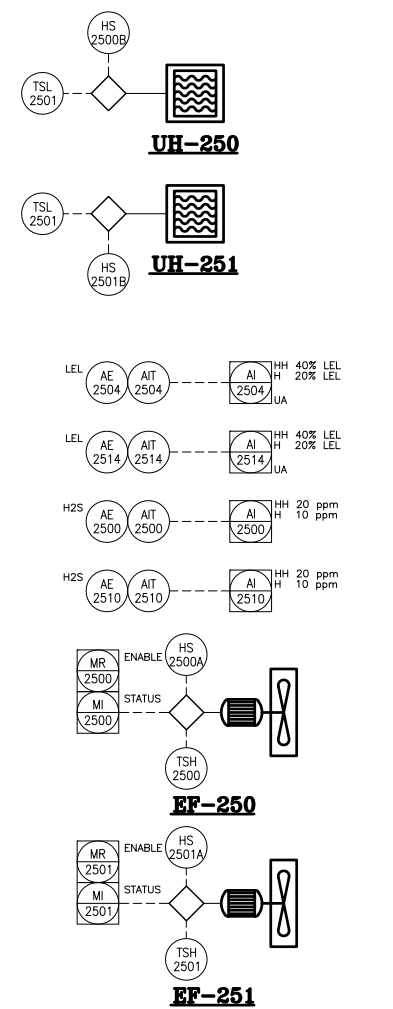
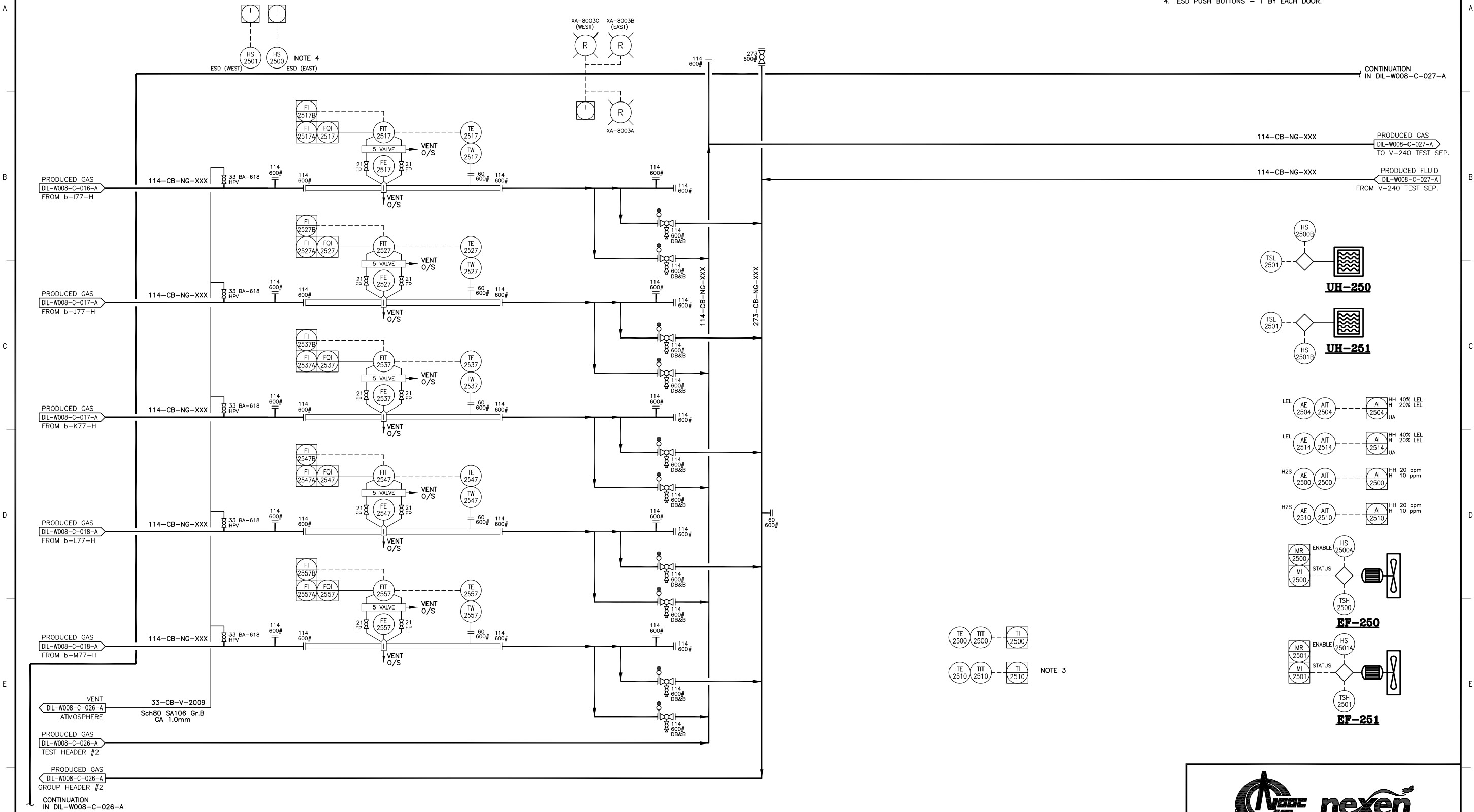


**UH-250/251
UNIT HEATERS**

**EF-250/251
EXHAUST FANS**
MAKE: 305mm VENTURI
MOTOR: 1/4 HP, 120V/1PH/60HZ
EXPLOSION PROOF
(SUPPLIED w/ BUILDING)

NOTES:

1. UT INSPECTION IS REQUIRED ON ELBOWS TO CHECK FOR EROSION.
2. LOW POINT DRAINS SHALL HAVE SUFFICIENT WORK SPACE FOR ACCESS.
3. BUILDING TEMPERATURE MEASUREMENT - ONE BY TEST SEPARATOR, OTHER ONE AT END OF BUILDING.
4. ESD PUSH BUTTONS - 1 BY EACH DOOR.



NOTE 3

PROJECT REVISION					REFERENCE DRAWINGS				NEXEN REVISION				APPROVAL			PROFESSIONAL STAMP	PERMIT STAMP
REV No	DATE (YYYY-MM-DD)	DESCRIPTION	DRAFTED BY	CHECKED BY	APPROVED BY	DRAWING No	TITLE	REV No	DATE (YYYY-MM-DD)	DESCRIPTION	DRAFTED BY	CHECKED BY	APPROVED BY	DATE			
								3	2016-06-24	AS-BUILT (DNS DESIGN - BC0078)	DSK	AM					
								2	2015-01-31	PROJECT AS-BUILT (NEBC-2013-000163)(NEXEN)	AM	AM	DB				
								1	13-02-25	ISSUED FOR AS-BUILT (SMCI NE11-01381)	OLW	TWJ	DLM				

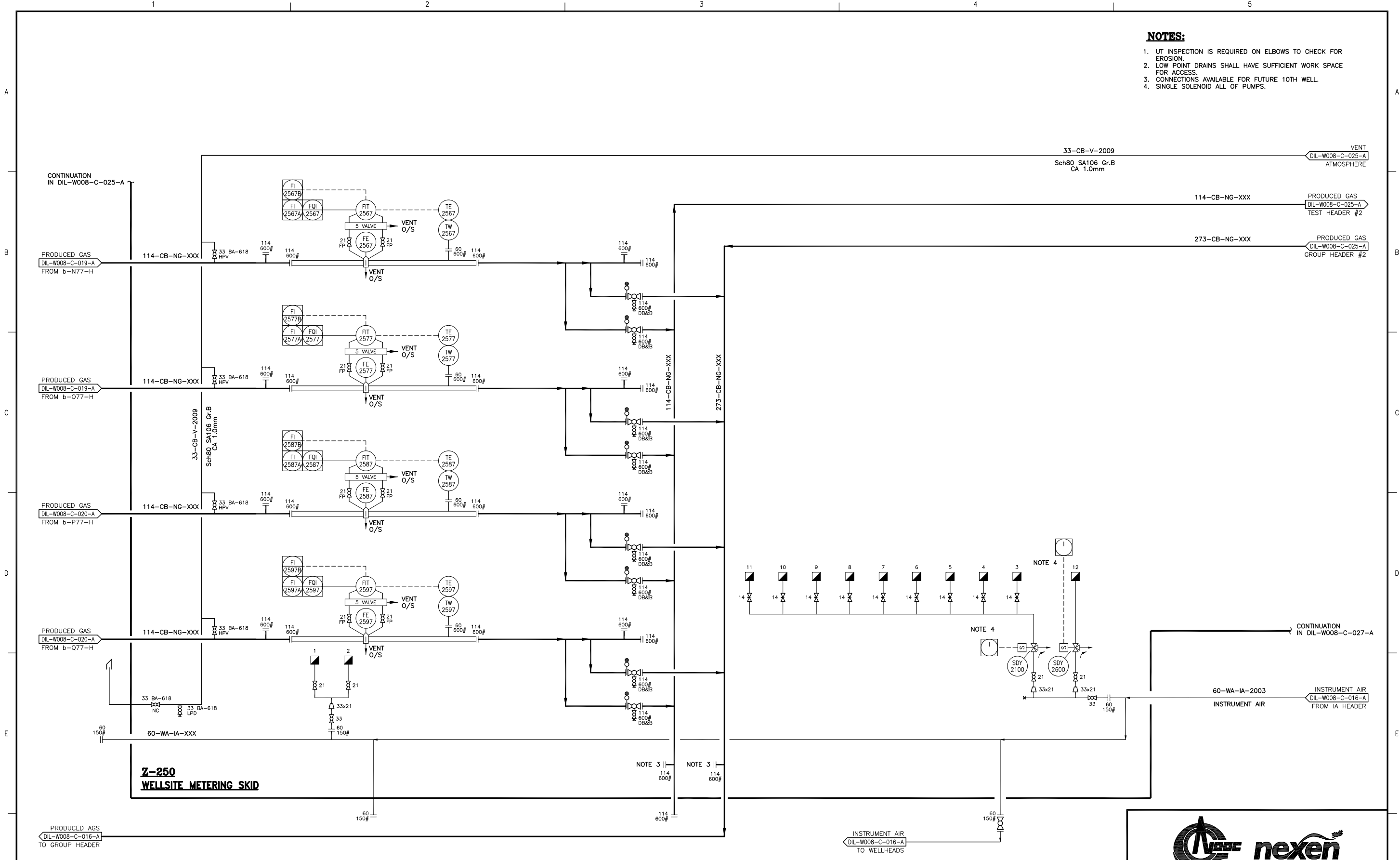
A CNOC LIMITED COMPANY

**DILLY CREEK WELLSITE
Z-250 METERING SKID (1 OF 4)
PIPING AND INSTRUMENTATION DIAGRAM**

PROJECT NUMBER: BC0078	LOCATION: b-77-H/94-0-8	SCALE: N.T.S
EPC NAME: SOLARIS - MCI	EPC DRAWING No.:	
NEXEN DWG No: DIL-W008-C-025-A	SHEET No: 1 OF 1	REV: 3

NOTES:

1. UT INSPECTION IS REQUIRED ON ELBOWS TO CHECK FOR EROSION.
2. LOW POINT DRAINS SHALL HAVE SUFFICIENT WORK SPACE FOR ACCESS.
3. CONNECTIONS AVAILABLE FOR FUTURE 10TH WELL.
4. SINGLE SOLENOID ALL OF PUMPS.



**Z-250
WELLSITE METERING SKID**

NOTE 3 || 114 600#

NOTE 4

PROJECT REVISION						REFERENCE DRAWINGS		NEXEN REVISION		APPROVAL			PROFESSIONAL STAMP	PERMIT STAMP	
REV No	DATE (YYYY-MM-DD)	DESCRIPTION	DRAFTED BY	CHECKED BY	APPROVED BY	DRAWING No	TITLE	REV No	DATE (YYYY-MM-DD)	DESCRIPTION	DRAFTED BY	CHECKED BY	APPROVED BY		
								3	2016-06-24	AS-BUILT (DNS DESIGN - BC0078)	DSK	AM	MF/AM		
								2	2015-01-31	PROJECT AS-BUILT (NEBC-2014-000163)(NEXEN)	AM	AM	DB		
								1	13-02-25	ISSUED FOR AS-BUILT (SMCI NE11-01381)	OLW	TWJ	DLM		



**DILLY CREEK WELLSITE
Z-250 METERING SKID (2 OF 4)
PIPING AND INSTRUMENTATION DIAGRAM**

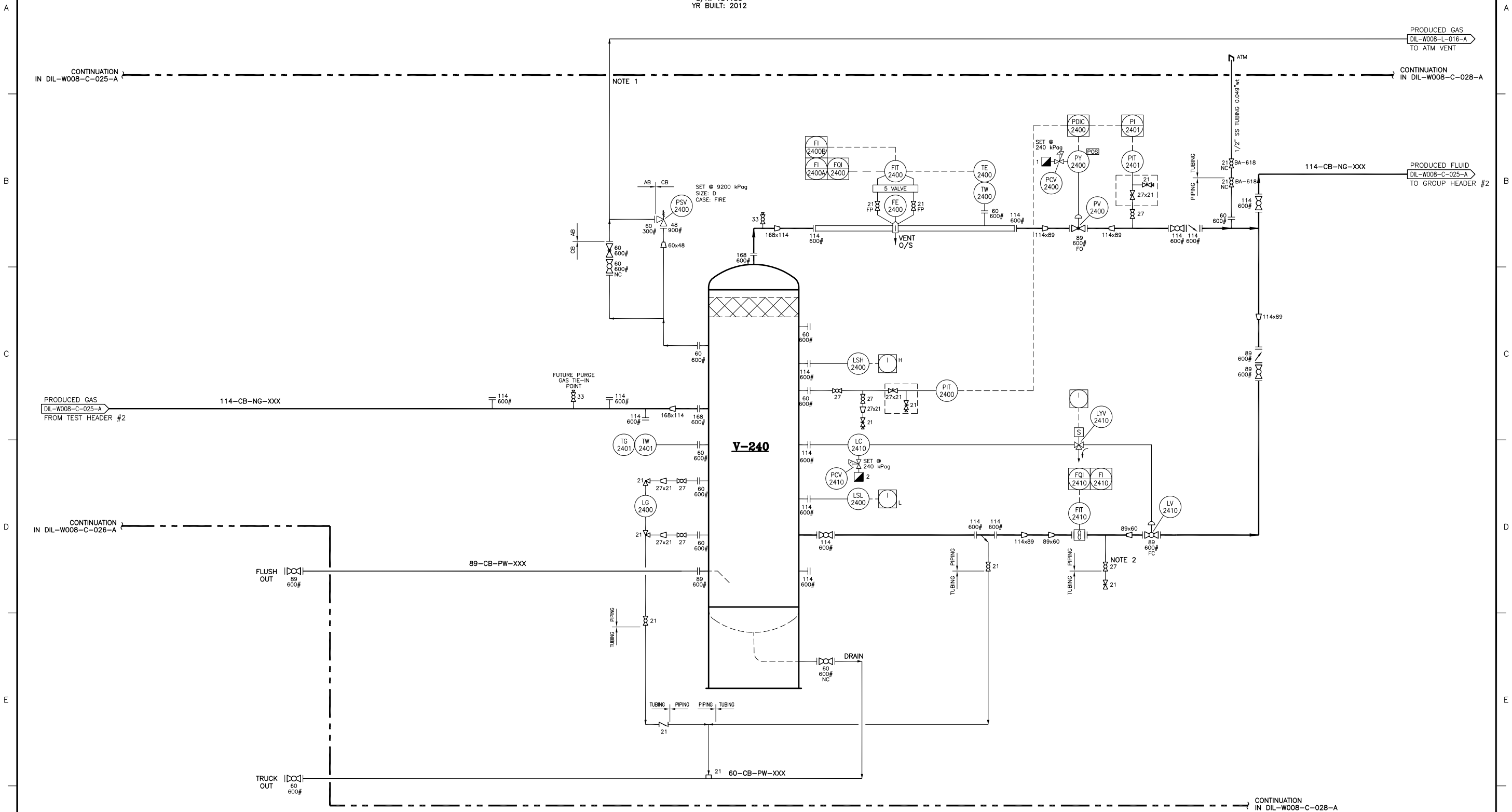
PROJECT NUMBER BC0078	LOCATION b-77-H/94-0-8	SCALE N.T.S
EPC NAME SOLARIS - MCI	EPC DRAWING No. -	
NEXEN DWG No. DIL-W008-C-026-A	SHEET No. 1 OF 1	REV 3

**Y-240
VERT. TEST SEPARATOR**

SIZE: 762mm OD x 3048mm S/S
 DP: 9200 kPag @ 110°C/-29°C
 CA: 3.18mm, 2 PHASE DESIGN DRESSED 2 PHASE
 CRN: V7263.21
 S/N: 131136
 YR BUILT: 2012

NOTES:

- PSV DISCHARGE PIPING EXTENDED TO OUTSIDE BUILDING ABOVE EAVE HEIGHT BY AT LEAST 1m AND VENTED TO SAFE LOCATION.
- LIQUID SAMPLING POINT.



PROJECT REVISION					REFERENCE DRAWINGS					NEXEN REVISION			APPROVAL			PROFESSIONAL STAMP	PERMIT STAMP
REV No	DATE (YYYY-MM-DD)	DESCRIPTION	DRAFTED BY	CHECKED BY	APPROVED BY	DRAWING No	TITLE	REV No	DATE (YYYY-MM-DD)	DESCRIPTION	DRAFTED BY	CHECKED BY	APPROVED BY	DATE			
4	2016-06-24	AS-BUILT (DNS DESIGN - BC0078)	DSK	AM							DSK	AM					
3	2015-04-17	PROJECT AS-BUILT (NEBC-2014-000225)(NEXEN)									AM	AM	DB				
2	13-02-25	ISSUED FOR AS-BUILT (SMCI NE11-01381)									OLW	TWJ	DLM				

nexen

**DILLY CREEK WELLSITE
Z-250 METERING SKID (3 OF 4)
PIPING AND INSTRUMENTATION DIAGRAM**

PROJECT NUMBER BC0078	LOCATION b-77-H/94-0-8	SCALE N.T.S.
EPC NAME SOLARIS - MCI	EPC DRAWING No. -	
NEXEN DWG No DIL-W008-C-027-A	SHEET No 1 OF 1	REV 4

P-260
FOAMER INJECTION PUMP
 MAX. DISCHARGE PRESSURE: 34000 kPag
 RATE: 2.06 GAL/HOUR
 MANUFACTURE: MILTON ROY
 MODEL: CRP500V400

P-210/215/220/225/230/235/240/245/250
CORROSION INHIBITOR PUMPS
 MAX. DISCHARGE PRESSURE: 34000 kPag
 RATE: 5.76-57.6L/DAY
 MANUFACTURE: MORGAN
 MODEL: 225DS-TR2

NOTES:

1. FG-3022 VENT TO BE EXTENDED OUTSIDE OF SKID TO A HEIGHT HIGHER THAN THE TOP OF THE TANK.
2. PNEUMATIC PUMP VENTS TO BE INDIVIDUALLY ROUTED OUTSIDE THE BUILDING.

CONTINUATION
 IN DIL-W008-C-027-A

CONTINUATION
 IN DIL-W008-C-027-A

NOTE 1

REV No

DATE (YYYY-MM-DD)

DESCRIPTION

PROJECT REVISION

REV No	DATE (YYYY-MM-DD)	DESCRIPTION	DRAFTED BY	CHECKED BY	APPROVED BY

REFERENCE DRAWINGS

DRAWING No	TITLE

NEXEN REVISION


REV No	DATE (YYYY-MM-DD)	DESCRIPTION	DRAFTED BY	CHECKED BY	APPROVED BY

APPROVAL

DRAFTED BY	CHECKED BY	APPROVED BY

PROFESSIONAL STAMP

PERMIT STAMP



DILLY CREEK WELLSITE
Z-250 METERING SKID (4 OF 4)
PIPING AND INSTRUMENTATION DIAGRAM

PROJECT NUMBER BC0082	LOCATION b-77-H/94-0-8	SCALE N.T.S
EPC NAME SOLARIS - MCI	EPC DRAWING No. -	
NEXEN DWG No DIL-W008-C-028-A	SHEET No 1 OF 1	REV 3

