
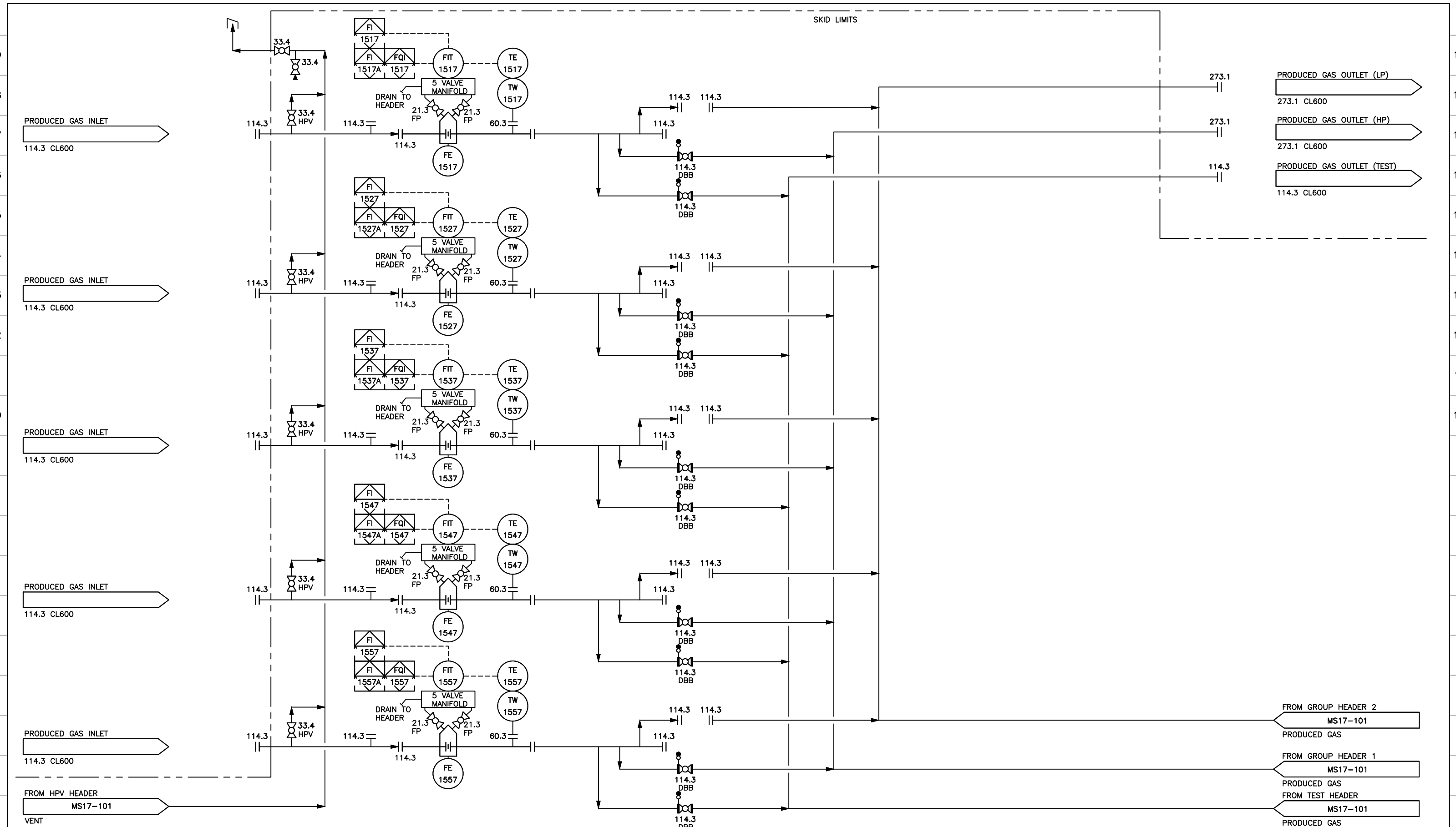


REV	BY	DATE	DESCRIPTION	SPEC	DESIGN PRESSURE	TEST PRESSURE	INSULATE	X-RAY	HARDNESS	STRESS RELIEVE	CLIENT	NTS
A2	FH	22/02/25	ISSUED FOR REVIEW									

ALBERTA PERMIT TO PRACTICE # P07166			
PROJECT NUMBER MS17			
DRAWN	FH	22/02/17	REVISION
CHECKED			△
APPROVED			SCALE
			NTS


 Roska DBO Inc.
 www.roskadbo.com
 PH: (780) 532-8347

ROSKA DBO INC.
METER SKID
MS17 METER P & I D
MS17-101



REV	BY	DATE	DESCRIPTION	SPEC	DESIGN PRESSURE	TEST PRESSURE	INSULATE	X-RAY	HARDNESS	STRESS RELIEVE	CLIENT	NTS
A2	FH	22/02/25	ISSUED FOR REVIEW									

ALBERTA PERMIT TO PRACTICE # P07166			
PROJECT NUMBER MS17			
DRAWN	FH	22/02/17	REVISION
CHECKED			△
APPROVED			SCALE



ROSKA DBO INC.
METER SKID
MS17 METER P & I D
MS17-102

Roska DBO Inc.
www.roskadbo.com
PH: (780) 532-8347

**EF-150/151
EXHAUST FAN**

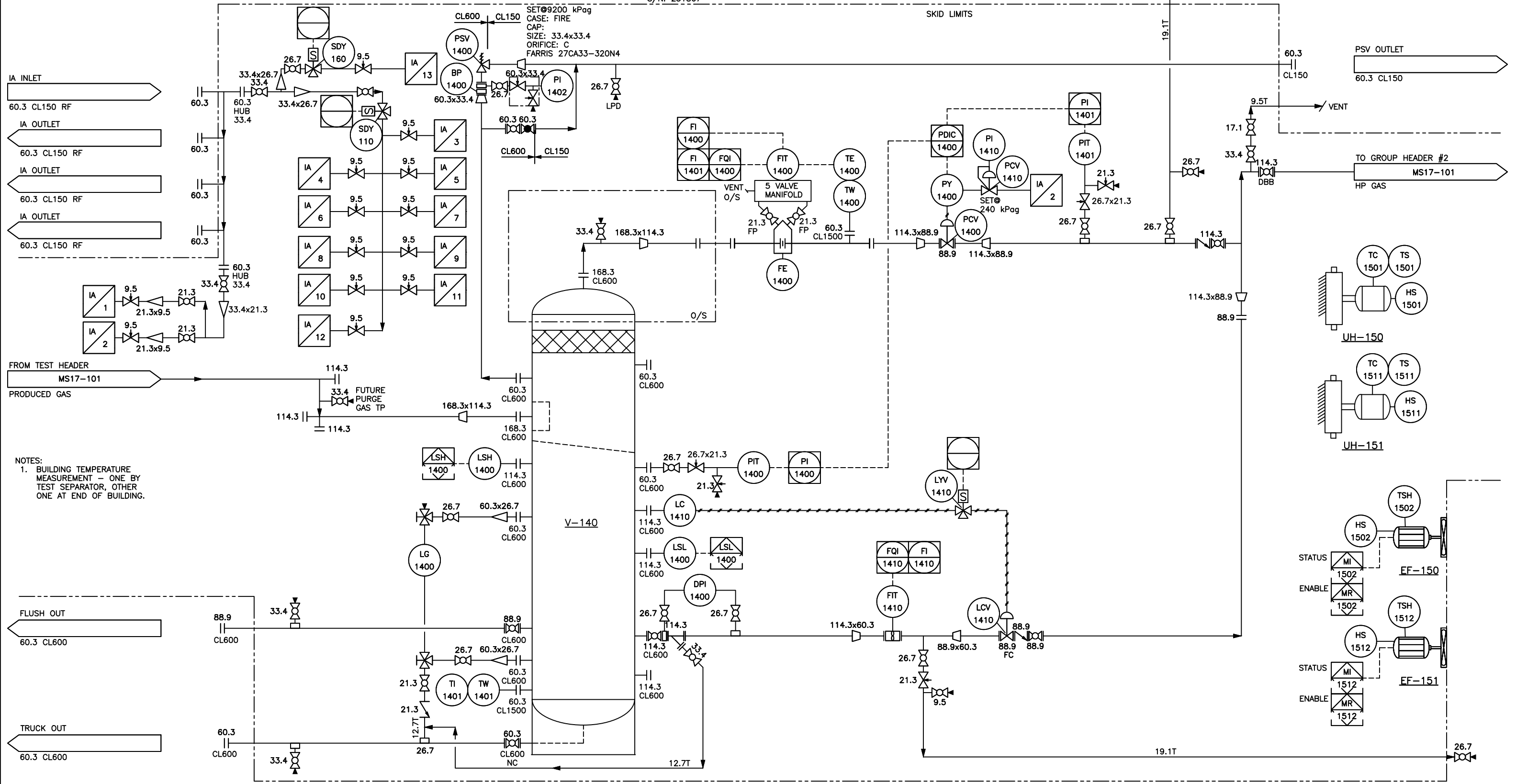
MAKE:
MODEL:
SIZE: 305mm
POWER: 1/4 HP, 115/208-230VAC/1PH/60HZ
XP BUILDING FAN FOR 6 ACPH

**UH-150/151
UNIT HEATER**

MAKE: RUFFNECK
MODEL: FX516-480360W-15T
POWER:
RATING:
BTU/HR:

**V-240
2 PHASE TEST SEPARATOR**

MAKE:
SIZE: 762mm OD x 3048mm S/S
PRESSURE: 9205 kPag
TEMP: -46/110°C
CA: 3.18mm
CRN: W0487.21
S/N: 231867



NOTES:
1. BUILDING TEMPERATURE MEASUREMENT - ONE BY TEST SEPARATOR, OTHER ONE AT END OF BUILDING.

REV	BY	DATE	DESCRIPTION	SPEC	DESIGN PRESSURE	TEST PRESSURE	INSULATE	X-RAY	HARDNESS	STRESS RELIEVE	CLIENT
A2	FH	22/02/25	ISSUED FOR REVIEW								

ALBERTA PERMIT TO PRACTICE # P07166			
PROJECT NUMBER MS17			
DRAWN	FH	22/02/17	REVISION
CHECKED			SCALE
APPROVED			NTS

ROSKA
Roska DBO Inc.
www.roskadbo.com
PH: (780) 532-8347

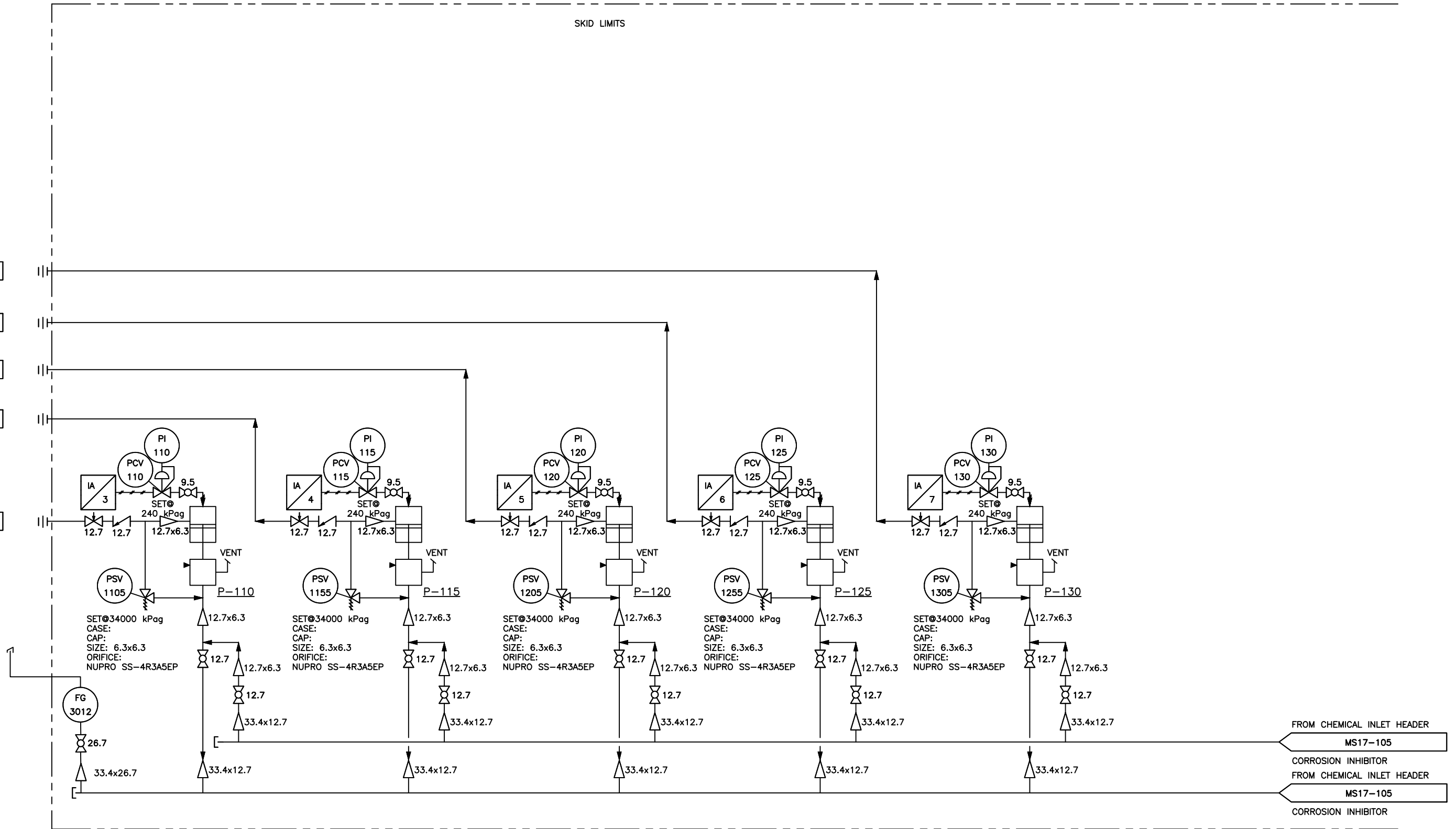
ROSKA DBO INC.
METER SKID
MS17 SEPARATOR P & I D
MS17-103

P-110-130
CORROSION INHIBITOR PUMP

MAKE: MORGAN
MODEL: HD312-5K
RATE:
MAX DISCHARGE PRESS:


SKID LIMITS

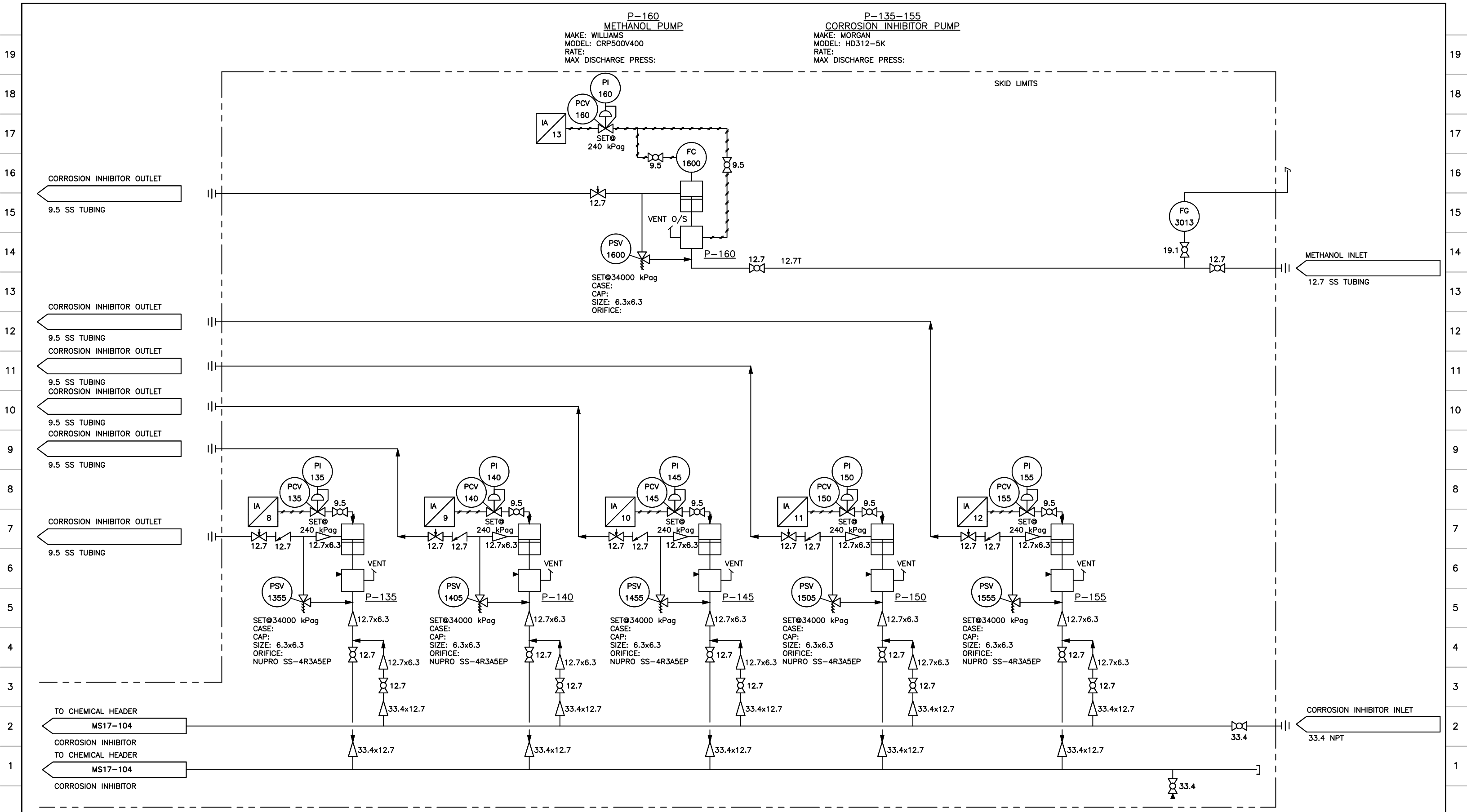
- CORROSION INHIBITOR OUTLET
- 9.5 SS TUBING
- CORROSION INHIBITOR OUTLET
- 9.5 SS TUBING
- CORROSION INHIBITOR OUTLET
- 9.5 SS TUBING
- CORROSION INHIBITOR OUTLET
- 9.5 SS TUBING
- CORROSION INHIBITOR OUTLET
- 9.5 SS TUBING



REV	BY	DATE	DESCRIPTION	SPEC	DESIGN PRESSURE	TEST PRESSURE	INSULATE	X-RAY	HARDNESS	STRESS RELIEVE	CLIENT
A3	FH	22/02/25	ISSUED FOR REVIEW								

ALBERTA PERMIT TO PRACTICE # P07166			
PROJECT NUMBER MS17			
DRAWN	FH	22/02/17	REVISION
CHECKED			△
APPROVED			SCALE
			NTS


ROSKA DBO INC.
 Roska DBO Inc.
 www.roskadbo.com
 PH: (780) 532-8347
METER SKID
MS17 CHEMICAL INJECTION P & I D
MS17-104



REV	BY	DATE	DESCRIPTION	SPEC	DESIGN PRESSURE	TEST PRESSURE	INSULATE	X-RAY	HARDNESS	STRESS RELIEVE	CLIENT
A3	FH	22/02/25	ISSUED FOR REVIEW								

ALBERTA PERMIT TO PRACTICE # P07166	
PROJECT NUMBER	MS17
DRAWN	FH 22/02/17
CHECKED	
APPROVED	
REVISION	
SCALE	
NTS	

ROSKA

Roska DBO Inc.
 www.roskadbo.com
 PH: (780) 532-8347

ROSKA DBO INC.
METER SKID
MS17 CHEMICAL INJECTION P & I D
MS17-105